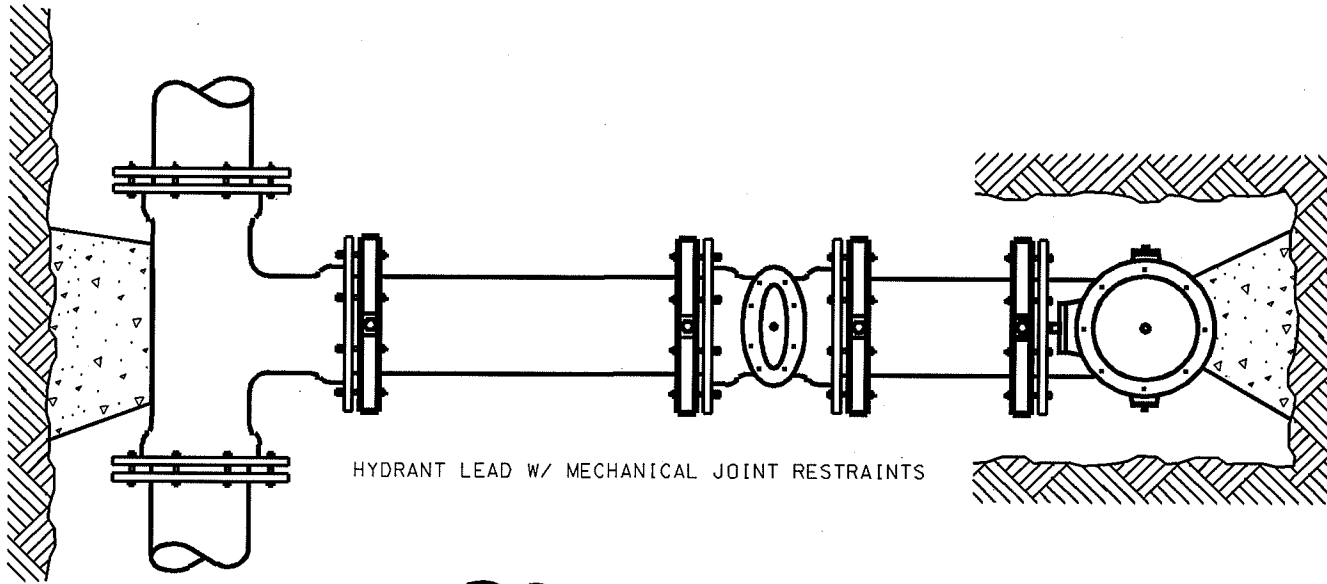
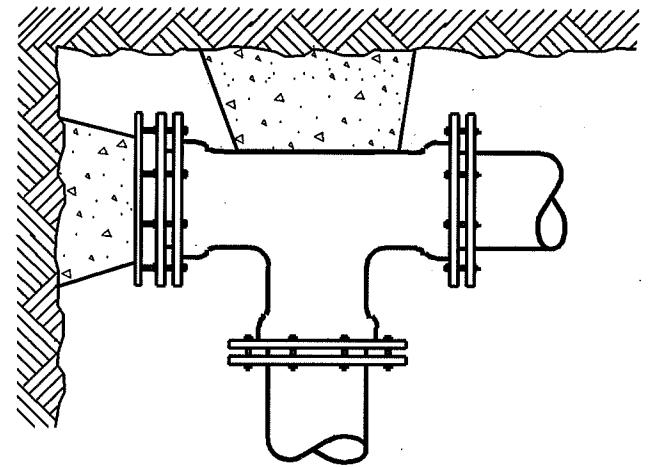
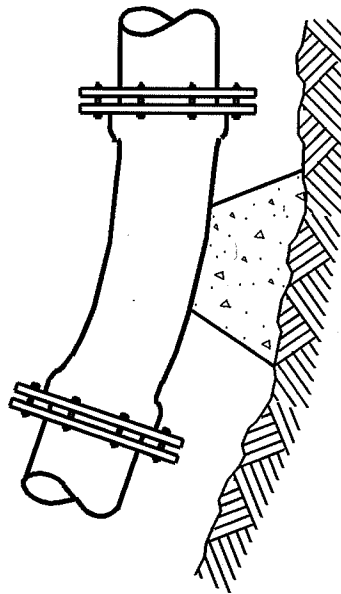
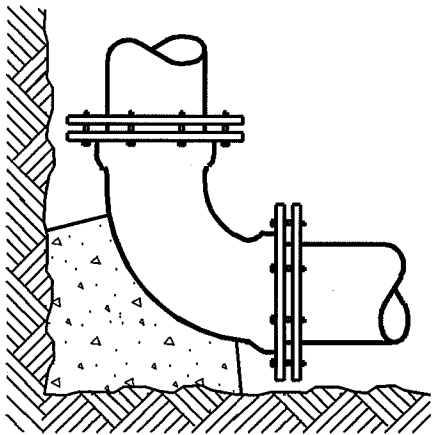


7.03



HYDRANT LEAD W/ MECHANICAL JOINT RESTRAINTS

REQUIRED BEARING AREA PER
MASTER SPECIFICATIONS SECTION 703.



DENOTES UNDISTURBED SOIL

DENOTES POURED CONCRETE

2004

CITY OF MADISON WATER UTILITY
STANDARD THRUST BLOCKING
STANDARD DETAIL DRAWING 7.03