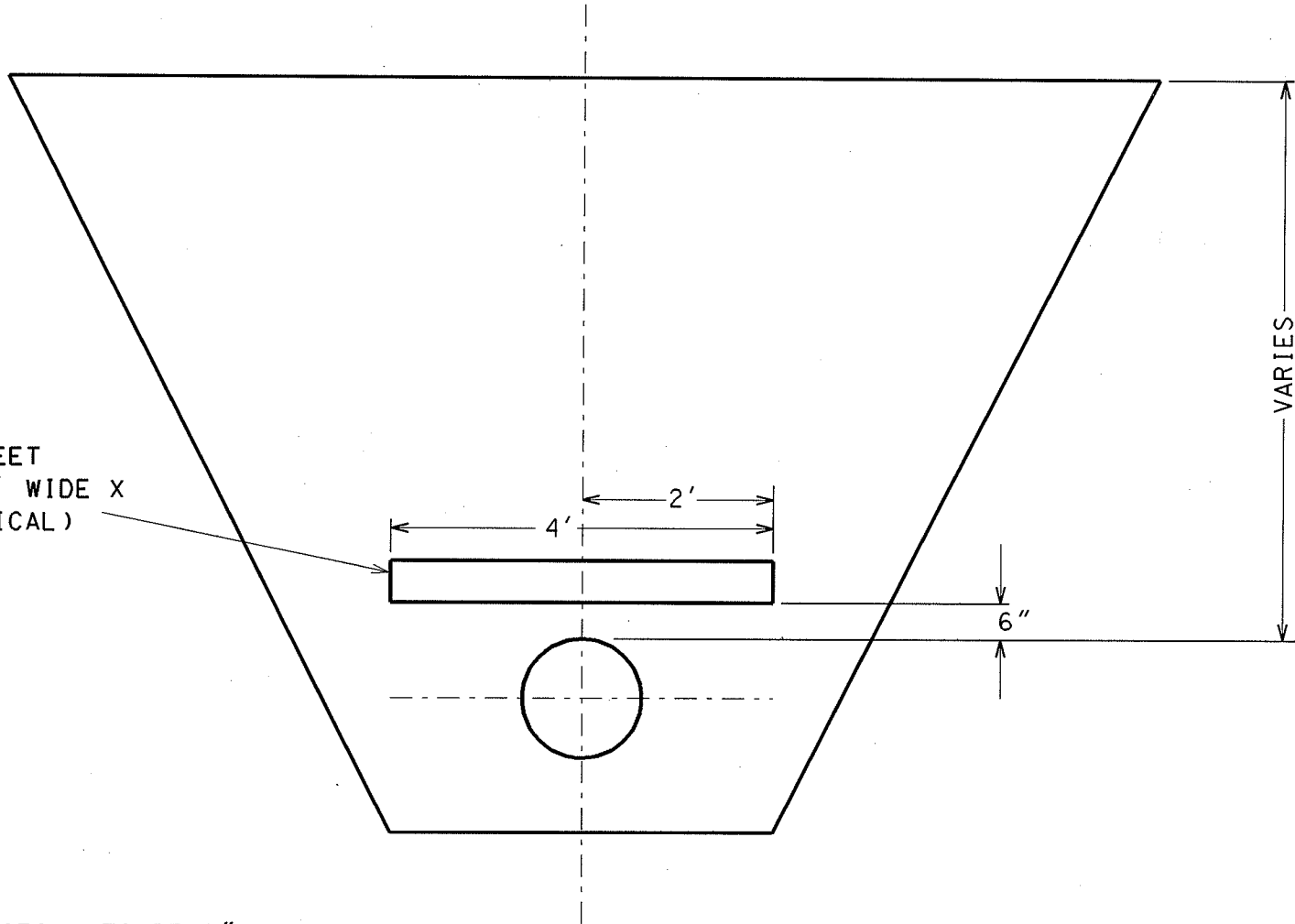


7.05

STYROFOAM SHEET
2" THICK X 4' WIDE X
8' LONG (TYPICAL)



NOTES:

- 1) ALL STYROFOAM TO BE 2" HIGH DENSITY POLYSTYRENE BOARD

2004

CITY OF MADISON
WATER UTILITY

TYPICAL STYROFOAM
INSTALLATION

STANDARD DETAIL DRAWING 7.05