



Madison, Wisconsin

INDEX OF SHEETS

SHEET NO. U1-U2 UTILITY CONNECTIONS

CITY OF MADISON

CITY ENGINEERING DIVISION

DEPARTMENT OF PUBLIC WORKS

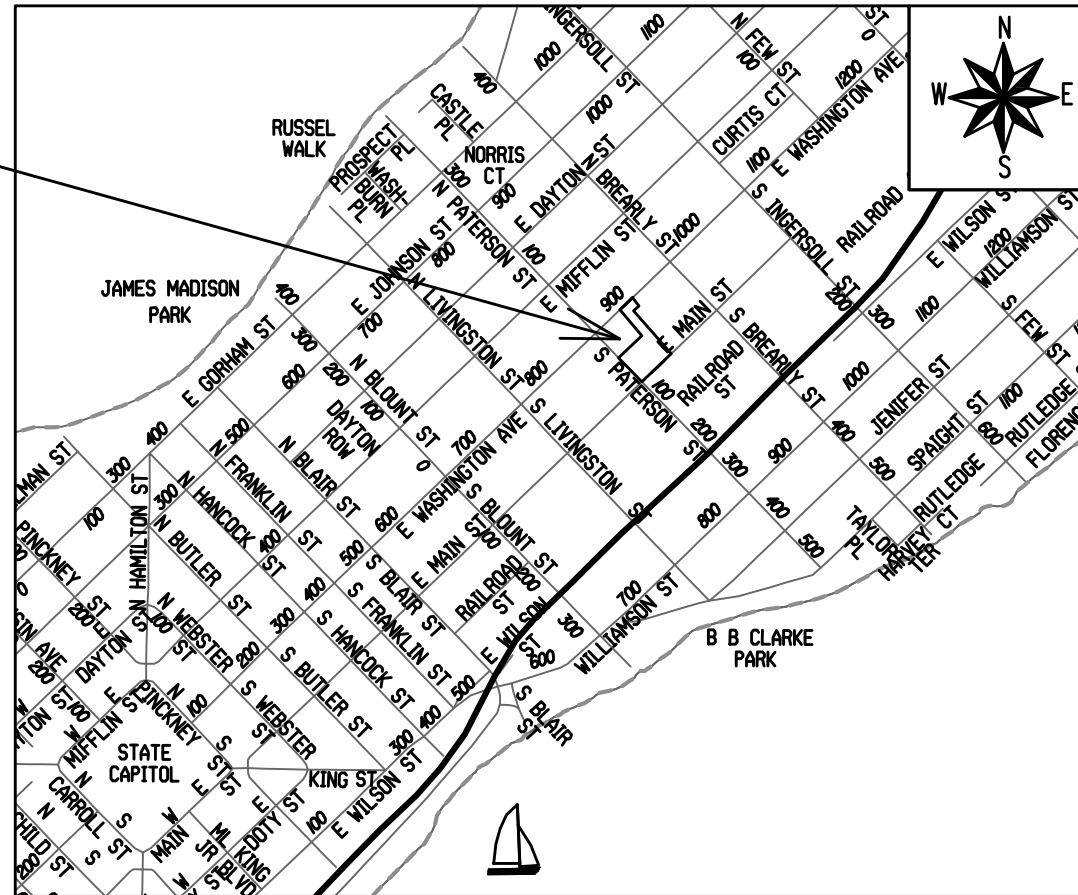
PLAN OF PROPOSED IMPROVEMENT

908 E MAIN STREET

UTILITIES ONLY

CITY PROJECT NO. 13246
CONTRACT NO. 8954

PROJECT
LOCATION



PUBLIC IMPROVEMENT PROJECT
APPROVED

SEPTEMBER 15, 2020

BY THE COMMON COUNCIL
OF MADISON, WISCONSIN

PUBLIC IMPROVEMENT DESIGN
APPROVED BY:

Greg Fries

Oct 22, 2020

City Engineer

Date

WATER
DESIGNED BY:

LATERALS ONLY

STORM & SANITARY SEWER
DESIGNED BY:

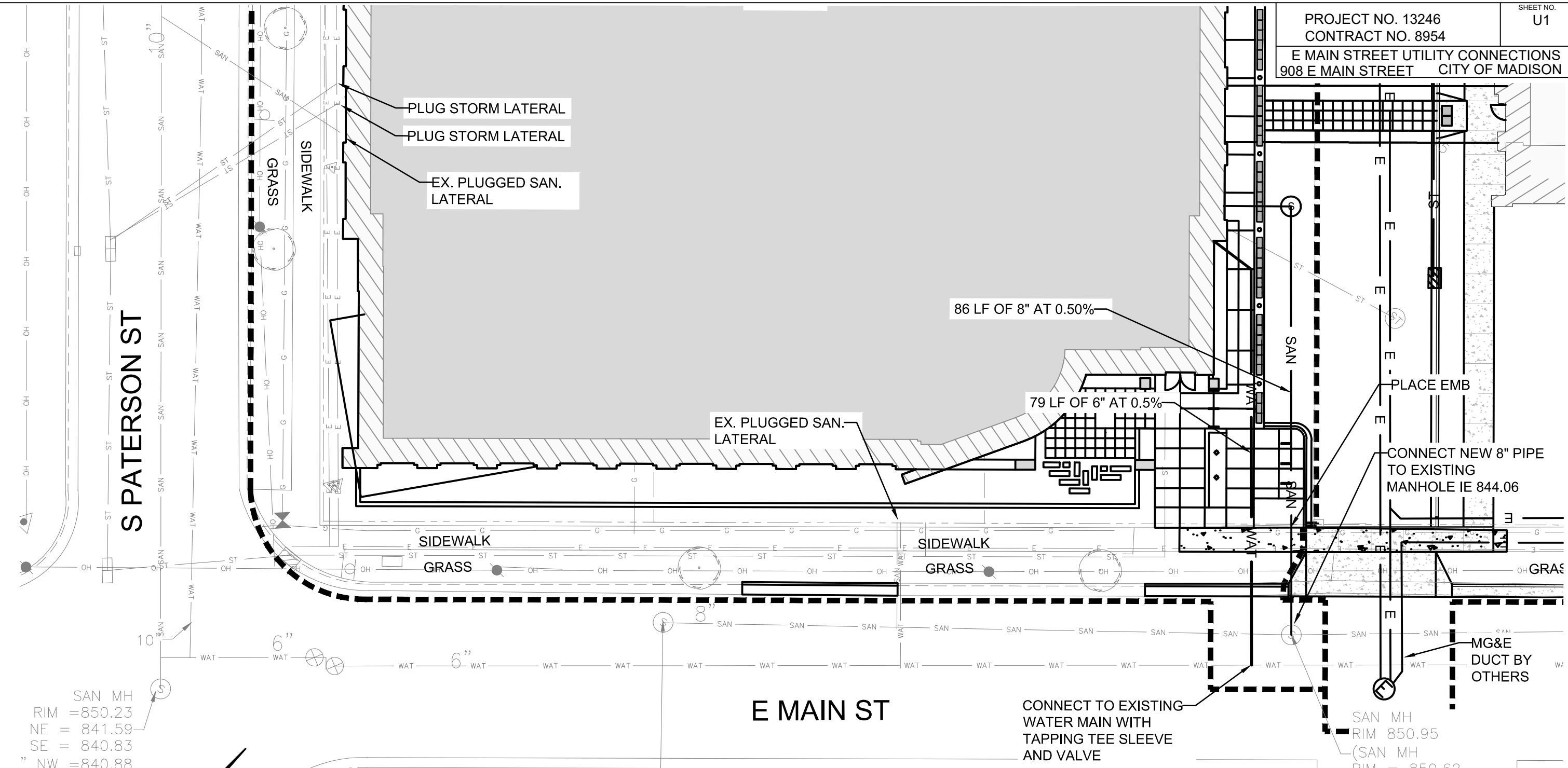
LATERALS ONLY

PLOT SCALE: 1 IN. = 1 FT. XREF

PLOT NAME: ---

REV. DATE: 10/15/2020 9:48 AM

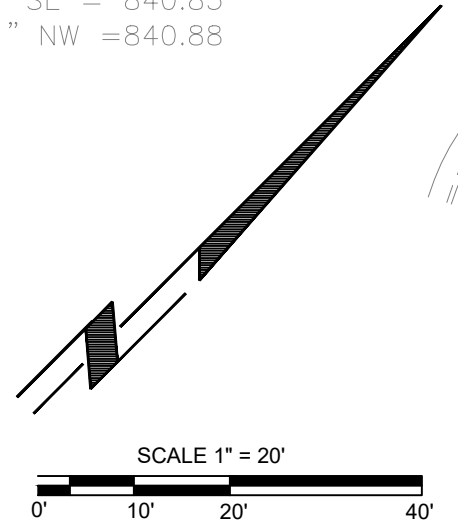
ORIGINATOR: CITY_OF_MADISON

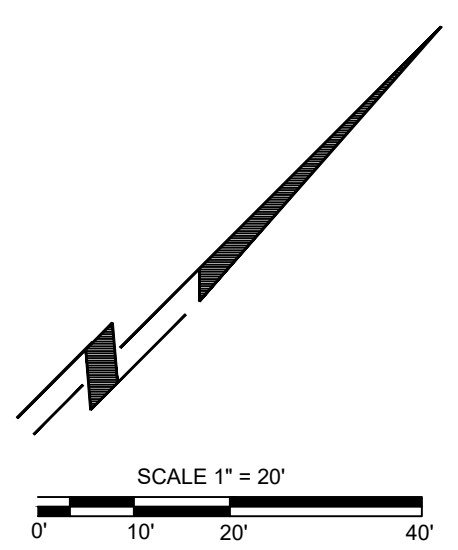
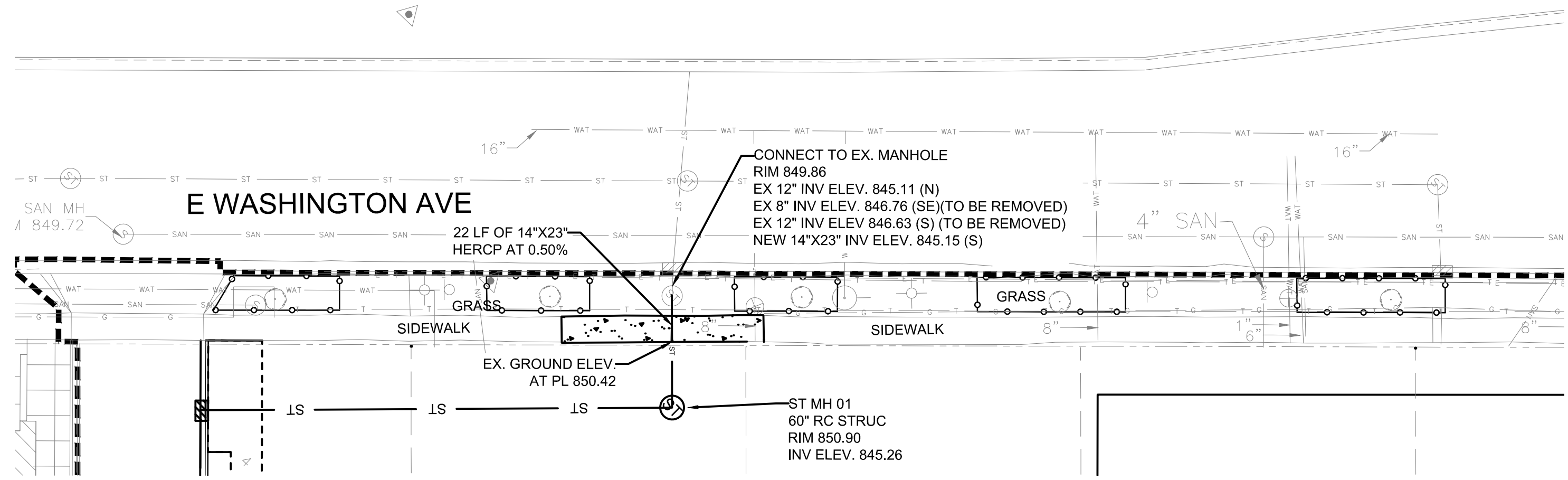


SAN MH
 RIM = 850.23
 NE = 841.59
 SE = 840.83
 NW = 840.88

SAN MH
 RIM 850.09
 (RIM = 849.90
 8" NE = 844.69)

SAN MH
 RIM 850.95
 (SAN MH
 RIM = 850.62
 EX IE = 843.96)
 NEW IE = 844.06
 SAN TAP AT 844.06'
 RECONSTRUCT BENCH
 AND FLOWLINES





5100 Eastpark Blvd., Suite 300, Madison, WI
53718, ph. 608-243-6470 Job# 2017136