

Madison, Wisconsin

CITY OF MADISON

CITY ENGINEERING DIVISION

DEPARTMENT OF PUBLIC WORKS

PLAN OF PROPOSED IMPROVEMENT

1907-1911 MONROE STREET PUD

CITY PROJECT NO. 53B2278
CONTRACT NO. 2278

PUBLIC IMPROVEMENT PROJECT APPROVED

JULY 19, 2011

BY THE COMMON COUNCIL
OF MADISON, WISCONSIN

PUBLIC IMPROVEMENT DESIGN
APPROVED BY:

[Signature] 11/23/11
City Engineer Date

STREET
DESIGNED BY:

[Signature]
11/22/11

STORM & SANITARY SEWER
DESIGNED BY:

[Signature]
11/22/11

INDEX OF SHEETS

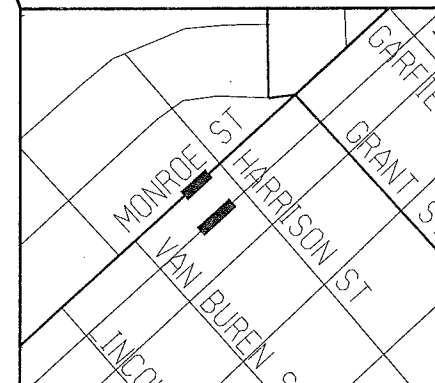
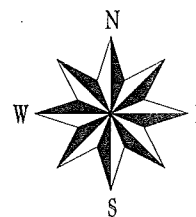
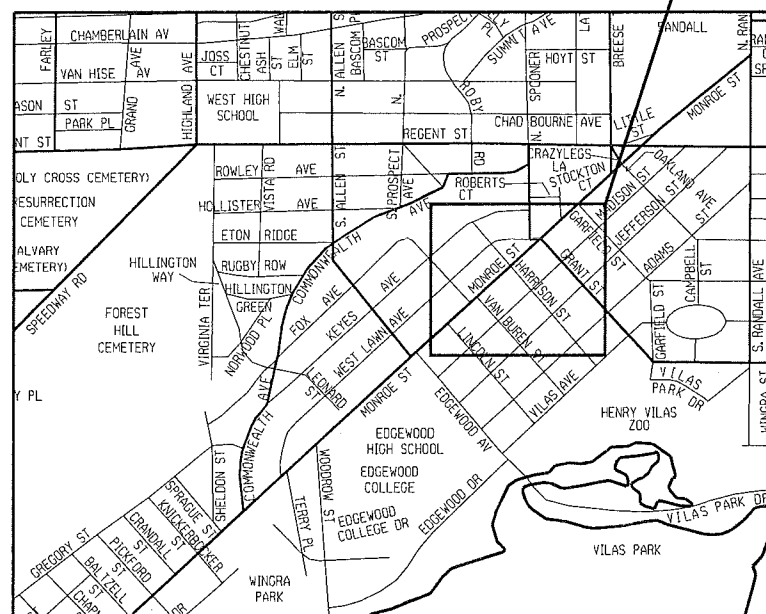
SHEET NO.	TITLE
1	DETAILS
D1-D2	RIGHT-OF-WAY PLAN
P1	

CONVENTIONAL SIGNS

FIELD VERIFY ALL UTILITY LOCATIONS

- GAS — G —
- STORM SEWER — ST —
- SANITARY SEWER — SAN —
- WATER — W —
- OVERHEAD ELECTRIC — OH —
- POWER POLE □
- ADA COMPLIANT RAMP W/
DETECTABLE WARNING FIELD
- COMBUSTIBLE FLUIDS

PROJECT
LOCATION



NOTES:

ALL GUTTERS SHALL DRAIN WITH A MINIMUM GRADE OF 0.50% TOWARD STORM SEWER INLETS.

SIDEWALK RAMPS AND CURB THRU SIDEWALK RAMPS SHALL HAVE A MAXIMUM SLOPE OF 1" PER 12". SIDEWALK AND CURB RAMPS SHALL BE CONSTRUCTED WITH A SIDE SLOPE OF 2.00%. SIDEWALK SHALL HAVE A MINIMUM LONGITUDINAL SLOPE OF 0.50% AND A MAXIMUM LONGITUDINAL SLOPE OF 5.00% EXCEPT WHERE STREET GRADES EXCEED 5.00%.

THE LOCATION AND INFORMATION FOR PROPOSED NEW TREES, IN THE PUBLIC RIGHT OF WAY OR ON PUBLIC LANDS ARE APPROXIMATE AND ARE SHOWN FOR REFERENCE ONLY. THE LOCATIONS, SPECIFICATIONS AND PLANTING METHODS OF ALL PROPOSED NEW OR REPLACEMENT TREES IN THE PUBLIC RIGHT OF WAY OR ON PUBLIC LANDS SHALL BE APPROVED BY THE CITY FORESTER PRIOR TO INSTALLATION.

NO TREES IN THE RIGHT OF WAY OR ON PUBLIC LANDS SHALL BE TRIMMED, PRUNED, REMOVED OR ADVERSELY AFFECTED IN ANY WAY UNTIL THE DEVELOPER HAS RECEIVED WRITTEN PERMISSION FROM THE CITY ENGINEER OR CITY FORESTER. SAID WRITTEN PERMISSION SHALL INCLUDE LANGUAGE INDICATING THAT SECTION 10.101 OF THE MADISON GENERAL ORDINANCES AND ADMINISTRATIVE PROCEDURE MEMORANDUM NO. 6-2, REFERING TO NOTIFICATION OF PROPERTY OCCUPANTS AND/OR OWNERS, HAS BEEN COMPLIED WITH.

THE DEVELOPER/CONTRACTOR SHALL SUBMIT A TRAFFIC CONTROL PLAN FOR REVIEW TO CITY TRAFFIC ENGINEERING AT LEAST 10 WORKING DAYS PRIOR TO WORK BEGINNING WITHIN MONROE ST. WORK SHALL NOT PROCEED UNTIL THE TRAFFIC CONTROL PLAN HAS BEEN APPROVED. THE TRAFFIC CONTROL PLAN MAY INCLUDE BUT IS NOT LIMITED TO: LANE CLOSURE RESTRICTIONS, PEAK HOUR WORKING RESTRICTIONS, ACCESS REQUIREMENTS, ETC. THE DEVELOPER/CONTRACTOR SHALL BE RESPONSIBLE FOR PHASING WORK AS NECESSARY TO MEET THE REQUIREMENTS OF THE APPROVED TRAFFIC CONTROL PLAN.

ALL PAVEMENT IN THE MONROE ST. RIGHT OF WAY SHALL BE TYPE "C" . ALL PAVEMENT IN THE PUBLIC ALLEY RIGHT OF WAY SHALL BE CONCRETE, ASSUMED 8" THICK.

ALL ISLANDS SHALL HAVE TYPE "H" C & G PER S.D.D. 3.08 AND MOUNTABLE NOSES PER S.D.D. 3.13. ALL OTHER C & G SHALL BE TYPE "A" PER S.D.D. 3.06 UNLESS OTHERWISE NOTED.

ISLAND INTERIORS SHALL BE OF SOD WHERE THE BACK TO BACK OF CURB DIMENSION IS GREATER THAN 6'.

UNDERDRAINS SHALL BE INSTALLED, PER STANDARD DETAIL DRAWING 4.05 FOR 75' ON EACH SIDE OF THE LOW POINT, OR TO THE NEAREST CURB HIGH POINT. ALL UNDERDRAIN SHALL BE WRAPPED.

ALL GUTTERS SHALL DRAIN WITH A MINIMUM GRADES OF 0.5% TOWARD STORM SEWER INLETS.

PAVEMENT CROSS SLOPES SHALL BE 2%, TERRACES SHALL SLOPE AT A 4% GRADE TOWARD THE GUTTER, SHOULDERS SHALL HAVE A 4% CROSS SLOPE AND CROSS SLOPES FORMING DITCHES SHALL NOT EXCEED 4.00:1 UNLESS OTHERWISE INDICATED.

THE CROSS SLOPE OF SIDEWALKS AND BARRIER FREE SIDEWALK CURB RAMPS SHALL BE 2%. THE LONGITUDINAL GRADE OF BARRIER FREE SIDEWALK CURB RAMPS SHALL NOT EXCEED 8.33%. ALL SIDEWALK RAMPS SHALL BE CONSTRUCTED ACCORDING TO S.D.D. 3.03. AT ALL OTHER LOCATIONS THE LONGITUDINAL GRADE OF SIDEWALKS SHALL NOT EXCEED 5.0 % OR THE ADJACENT STREET GRADE WHICHEVER IS GREATER NOR BE LESS THAN 0.5% AND SHALL DRAIN TOWARD STORM SEWER INLETS. A 2 FOOT WIDE CONCRETE FLUME SHALL BE INSTALLED BETWEEN THE SIDEWALK AND THE BACK OF CURB AT SIDEWALK LOW POINTS WHICH CANNOT OTHERWISE BE DRAINED DIRECTLY TO THE GUTTER. SIDE SLOPES WITHIN TEN FEET OF A PUBLIC SIDEWALK SHALL NOT EXCEED 4.00:1. ALL SIDEWALK AND SIDEWALK RAMP ELEVATIONS AND GRADES SHALL BE FIELD VERIFIED AND SET TO COMPLY WITH THE CITY OF MADISON STANDARD SPECIFICATIONS AND THE A.D.A. GUIDELINES.

OBTAIN A PRINT OUT OF THE ALIGNMENT FROM THE CITY ENGINEER PRIOR TO STAKING THIS PROJECT.

CURB STATION AND OFFSETS SHALL BE TO THE FACE OF CURB UNLESS OTHERWISE INDICATED. CURB ELEVATIONS SHALL BE TO THE TOP OF CURB (OR EXTENDED TOP OF CURB FOR DRIVEWAYS OR RAMPS) UNLESS OTHERWISE INDICATED.

POWER POLES AND OTHER OBSTRUCTIONS SHALL BE MOVED TO PROVIDE 2 FEET MINIMUM OF CLEAR DISTANCE FROM ANY FACE OF CURB OR EDGE OF SIDEWALK.

ANY INFORMATION SHOWN ON THIS PLAN, WHICH IS NOT PART OF THIS PROJECT, IS PRELIMINARY AND NOT FOR CONSTRUCTION.

THERE MAY BE EXISTING UTILITIES OR OTHER FEATURES WHICH ARE EITHER NOT SHOWN OR SHOWN INCORRECTLY ON THIS PLAN. IT IS THE RESPONSIBILITY OF THE DEVELOPER TO LOCATE AND IDENTIFY ALL UTILITIES AND TOPOGRAPHY WHICH MAY AFFECT THE CONSTRUCTION OF THESE IMPROVEMENTS.

ALL PERMANENT SIGNING AND POSTING WILL BE DETERMINED AND PROVIDED BY THE TRAFFIC ENGINEERING DIVISION, FOLLOWING CONSTRUCTION OF THESE IMPROVEMENTS.

THE DEVELOPER SHALL PROVIDE, INSTALL AND MAINTAIN ALL STREET END BARRICADES, SIGNING AND TRAFFIC CONTROL, AS REQUIRED BY THE CITY TRAFFIC ENGINEER.

PAVEMENT SAWCUTS SHALL BE AS DIRECTED BY THE CITY CONSTRUCTION ENGINEER. SAWCUTS SHOWN ON THE PLAN ARE APPROXIMATE.

CURB ON CUL DE SACS SHALL BE INSTALLED ACCORDING TO SDD 3.05.

PLOT SCALE:

PLOT NAME:

REV. DATE:

ORIGINATOR: CITY OF MADISON, STREETS DIVISION

- ① BITUMINOUS PVMT UPPER LAYER, SEE SHEET D-1
- ② BITUMINOUS PVMT LOWER LAYER, SEE SHEET D-1
- ③ EXISTING BASE COURSE TO REMAIN (SEE NOTE 4)
- ④ TYPE 'A' CURB (TYPICAL)
- ⑤ 4" TOPSOIL, SEED, FERTILIZER, MULCH
- ⑥ 5" CONCRETE SIDEWALK
- ⑦ EXISTING ROADWAY TO REMAIN
- ⑧ CONCRETE PAVEMENT, ASSUMED 8" (SEE NOTE 5)

Pavement Patching Criteria

Criteria use on:
Streets with pavement rating > 6
Arterial Streets

1. Length of Patch

- a. Minimum 50 feet long
- b. Minimum of 15 feet beyond the excavation
- c. Where multiple patches are created and the separation between them is less than 100 feet, the patches shall be combined into a single patch.
- d. The patches shall be adjusted in the field to meet special conditions such as previous paving or patching limits.

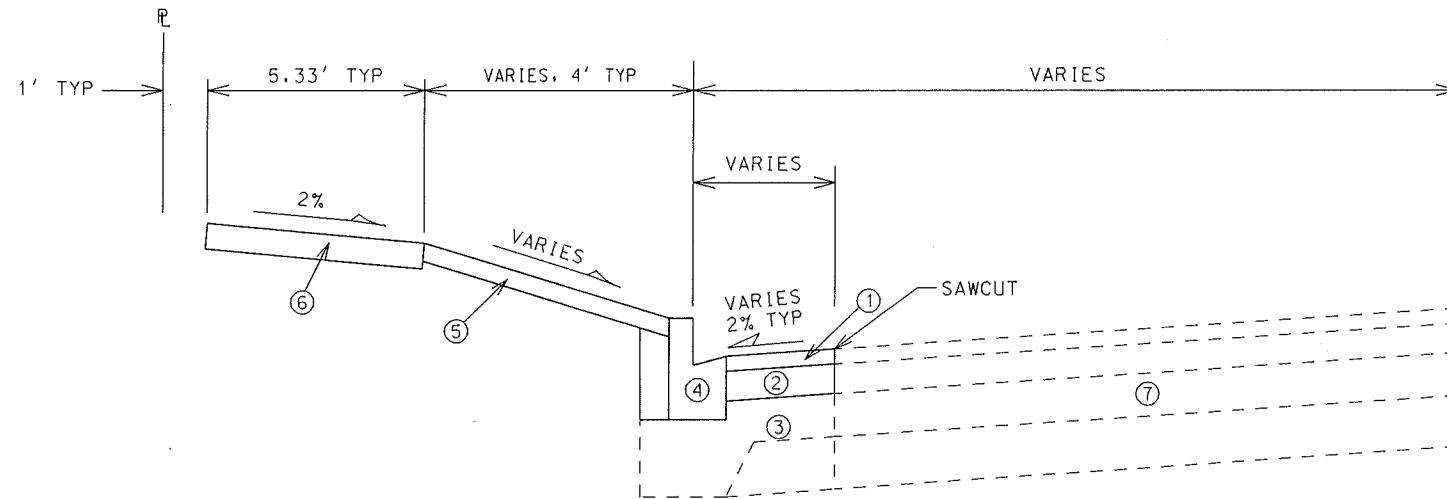
2. Width of Patch (all dimensions are curb face to curb face)

a. All Streets Except Divided or one way roadways

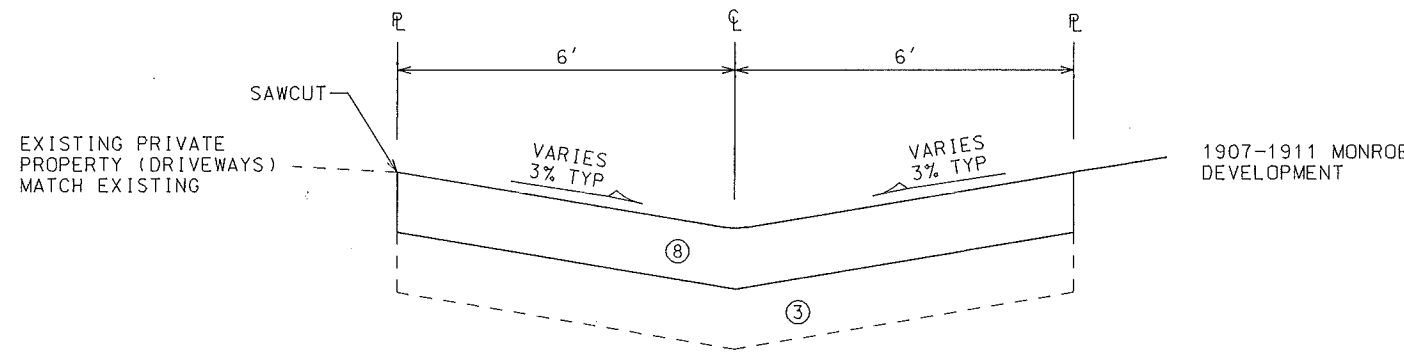
- i. Street Width 0 to 24 feet wide - Patch entire street width
- ii. Street Width 25 to 37 feet wide - Patch one half the street width (curb to centerline of roadway). Note - Utility Engineer may adjust paving limit to correspond with a painted centerline in situations where the painted centerline is not in the center of the street.
- iii. Street Width 38 feet and up - Patch width of entire lane for each lane which was disturbed by the excavation.
 - 1. If the lane is adjacent to a bike lane, include the bike lane. (except when there is a parking lane between the bike lane and the curb)
 - 2. If the lane is a bike lane and adjacent to a parking lane, include the parking lane.
 - 3. If the lane is a bike lane and not adjacent to a parking lane, include the adjacent travel lane.

b. Divided Roadways and One Way Streets

- i. Street 0 to 19 feet wide - Patch entire street width
- ii. Street Width 20 feet and up - Patch width of entire lane for each lane which was disturbed by the excavation.
 - 1. If the lane is adjacent to a bike lane, include the bike lane. (except when there is a parking lane between the bike lane and the curb)
 - 2. If the lane is a bike lane and adjacent to a parking lane, include the parking lane.
 - 3. If the lane is a bike lane and not adjacent to a parking lane, include the adjacent travel lane.



TYPICAL TERRACE SECTION
MONROE STREET



TYPICAL SECTION
PUBLIC ALLEY

NOTES:

- 1. A PAVEMENT DESIGN IN ACCORDANCE WITH STANDARD DETAIL DRAWING 4.06 IS REQUIRED ON ALL PROJECTS
- 2. 3" OF CRUSHED AGGREGATE BASE COURSE GRADATION 3 SHALL BE PLACED UNDER THE SIDEWALK WHERE THE GRADE EXCEEDS 5%
- 3. SAWCUT AND PATCHING LIMITS ARE TO BE VERIFIED IN THE FIELD BY THE CITY CONSTRUCTION ENGINEER
- 4. FINISH GRADE EXISTING BASE COURSE AS NECESSARY. TOP WITH GRAD. 3 CRUSHED AGGREGATE, IF NEEDED, TO ACHIEVE DESIRED GRADES.
- 5. MATCH THICKNESS OF EXISTING CONCRETE PAVEMENT. INSTALL PAVEMENT PER S.D.D. 3.10 & 3.11 OF CITY OF MADISON STANDARD SPECS.

CITY OF MADISON MINIMUM PAVEMENT DESIGN

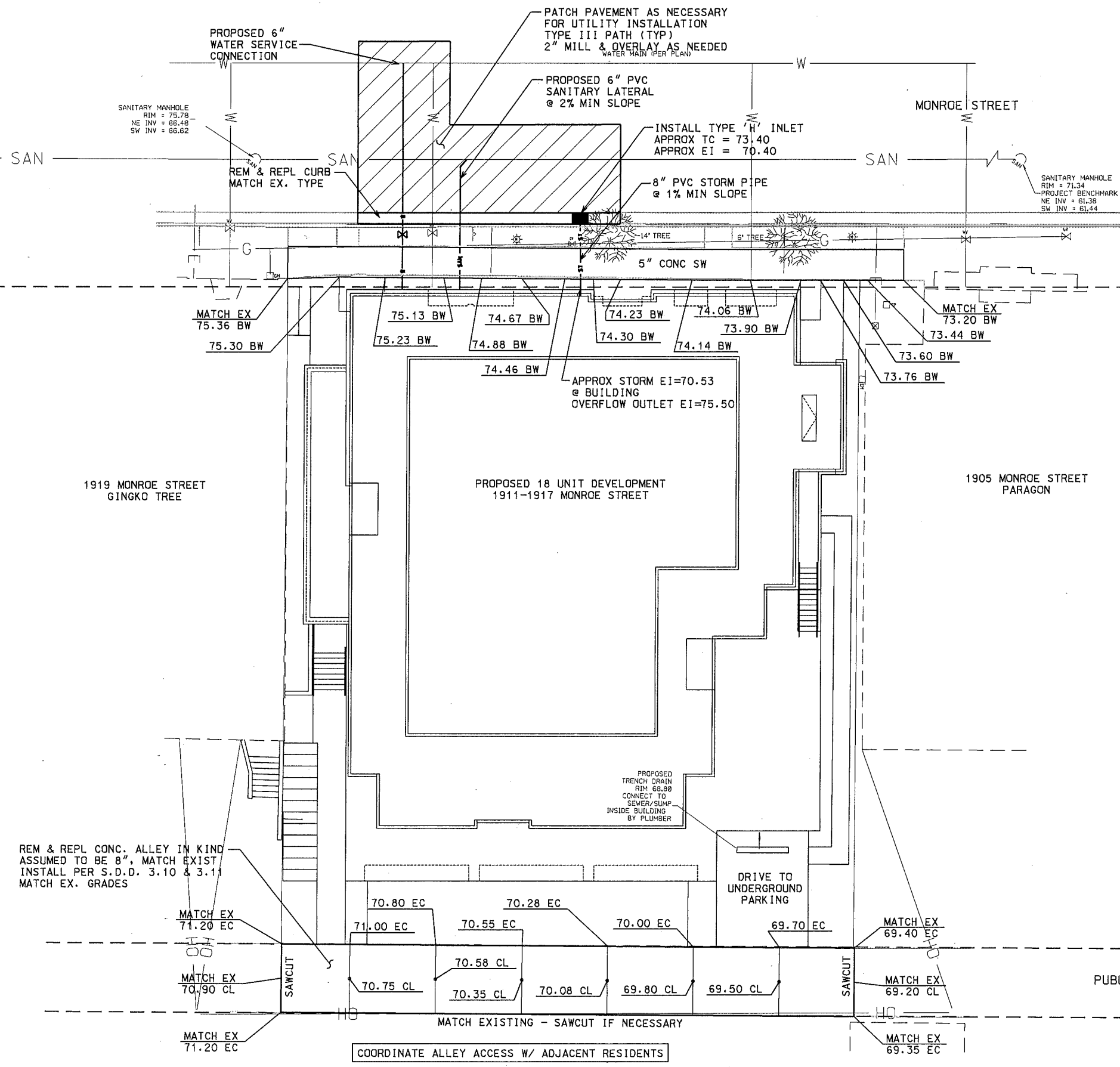
TYPE	CRUSHED AGGREGATE BASE COURSE		ASPHALTIC CONCRETE PAVEMENT			
	LOWER LAYER GRADATION 1	UPPER LAYER GRADATION 2	TYPE	THICKNESS	TYPE	UPPER LAYER THICKNESS
A	6"	4"	E-0.3	1.75"	E-0.3	1.75"
B	6"	4"	E-1	2.50"	E-1	1.75"
C	6"	4"	E-3	3.50"	E-3	1.75"

STREET RATINGS

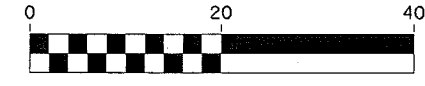
STREET NAME	CLASSIFICATION	PAVEMENT RATING
MONROE ST*	ARTERIAL	5
ALLEY	LOCAL	5

* MONROE ST SCHEDULED TO BE RECONSTRUCTED IN 2014

RIGHT-OF-WAY PLAN
MONROE ST CITY OF MADISON



REM & REPL CONC. ALLEY IN KIND
ASSUMED TO BE 8", MATCH EXIST
INSTALL PER S.D.D. 3.10 & 3.11
MATCH EX. GRADES



NOTES:
1. TREES WITHIN THE RIGHT-OF-WAY SHALL BE PROTECTED DURING CONSTRUCTION. NOT TREE REMOVALS SHALL TAKE PLACE WITHOUT COORDINATION AND APPROVAL FROM CITY FORESTRY. CONTACT DEAN KAHL 608-266-4891

COORDINATE ALLEY ACCESS W/ ADJACENT RESIDENTS