

CONDITIONALLY APPROVED
DEPT OF SAFETY AND PROFESSIONAL SERVICES
DIVISION OF INDUSTRY SERVICES

[Signature]
 SEE CORRESPONDENCE

Project: U-Haul Madison
 Permit No.: GS-111901871-PR
 Date: 11-18-19
 Pages: 1-3



Drawing By: Felker Truck and Equipment
 PO Box 139
 Dale, WI 54931
 Contact Person: Dick Klein
 Phone: (920) 779 9826

Drawn By:
 Neil D. Block

Installer:
 Ferrell North America
 7500 College Blvd Suite 1000
 Overland Park KS 66210

Drawn For:
 Tank Owner:
 U-Haul Moving & Storage of
 Warner Park
 2701 Packers Ave.
 Madison, WI 53704

Location:
 U-Haul Moving & Storage
 of Warner Park
 2701 Packers Ave.
 Madison, WI 53704

Date:
October 13, 2019

Scale
1"=80'

Page
1

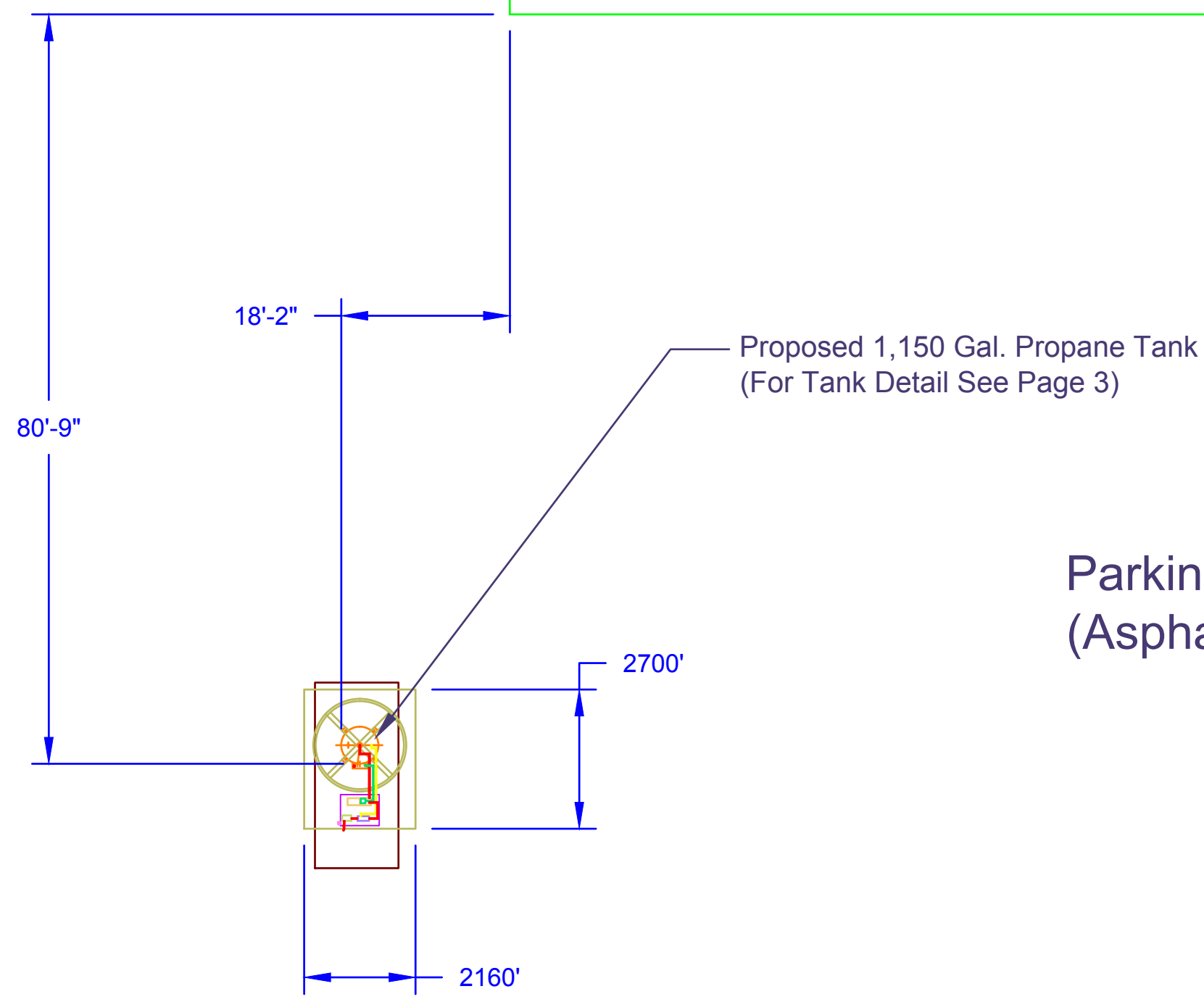
Notes:
 All globe valves on new install to have locking devices.
 After removing portion of fence to install new tank and piping all globe valves on old tank to have locking devices.

- | | | | | | |
|--|------------------------|--|---------------------|--|----------------------------|
| | Property Line | | Existing Fencing | | Crash protection |
| | Vapor Line | | Pump | | Fire Extinguisher |
| | Liquid Line | | Bulkhead | | Buildable Property Line |
| | Propane Tanks | | Relief Valves | | Roadway |
| | Structure | | Concrete Piers | | Proposed new install cloud |
| | Fuel Oil Berm | | Fuel Oil Unload | | |
| | Fuel Oil Storage Tanks | | ESV Remote Location | | |

Packers Ave.

Packers Ave.

U-Haul Moving & Storage of
Madison Building
(Masonry & Steel)



Drawing By: Felker Truck and Equipment
 PO Box 139
 Dale, WI 54931
 Contact Person: Dick Klein
 Phone: (920) 779 9826

Drawn By:
 Neil D. Block

Installer
 Ferrell North America
 7500 College Blvd Suite 1000
 Overland Park KS 66210

Drawn For:
 Tank Owner:
 U-Haul Moving & Storage of
 Warner Park
 2701 Packers Ave.
 Madison, WI 53704

Location:
 U-Haul Moving & Storage
 of Warner Park
 2701 Packers Ave.
 Madison, WI 53704

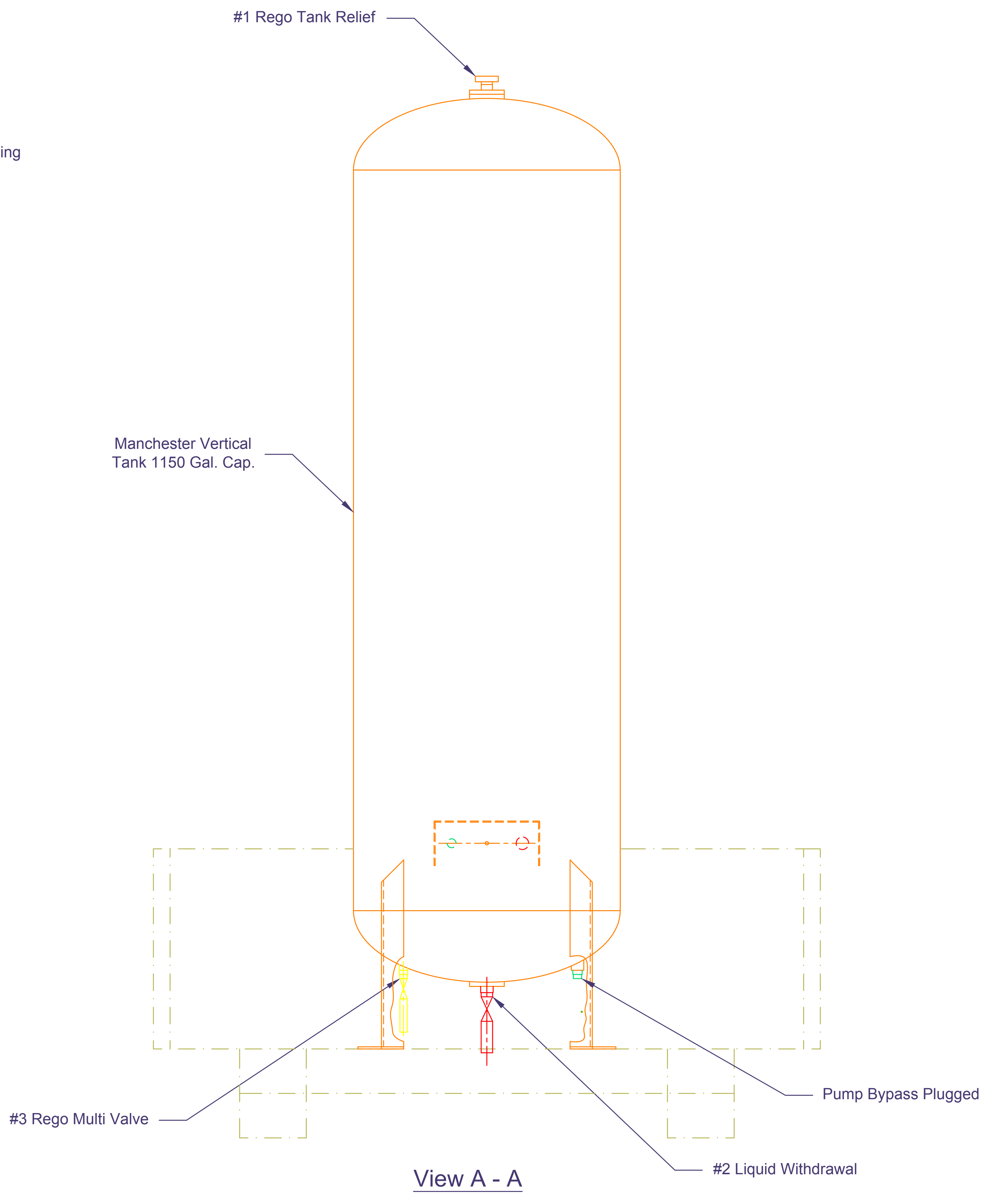
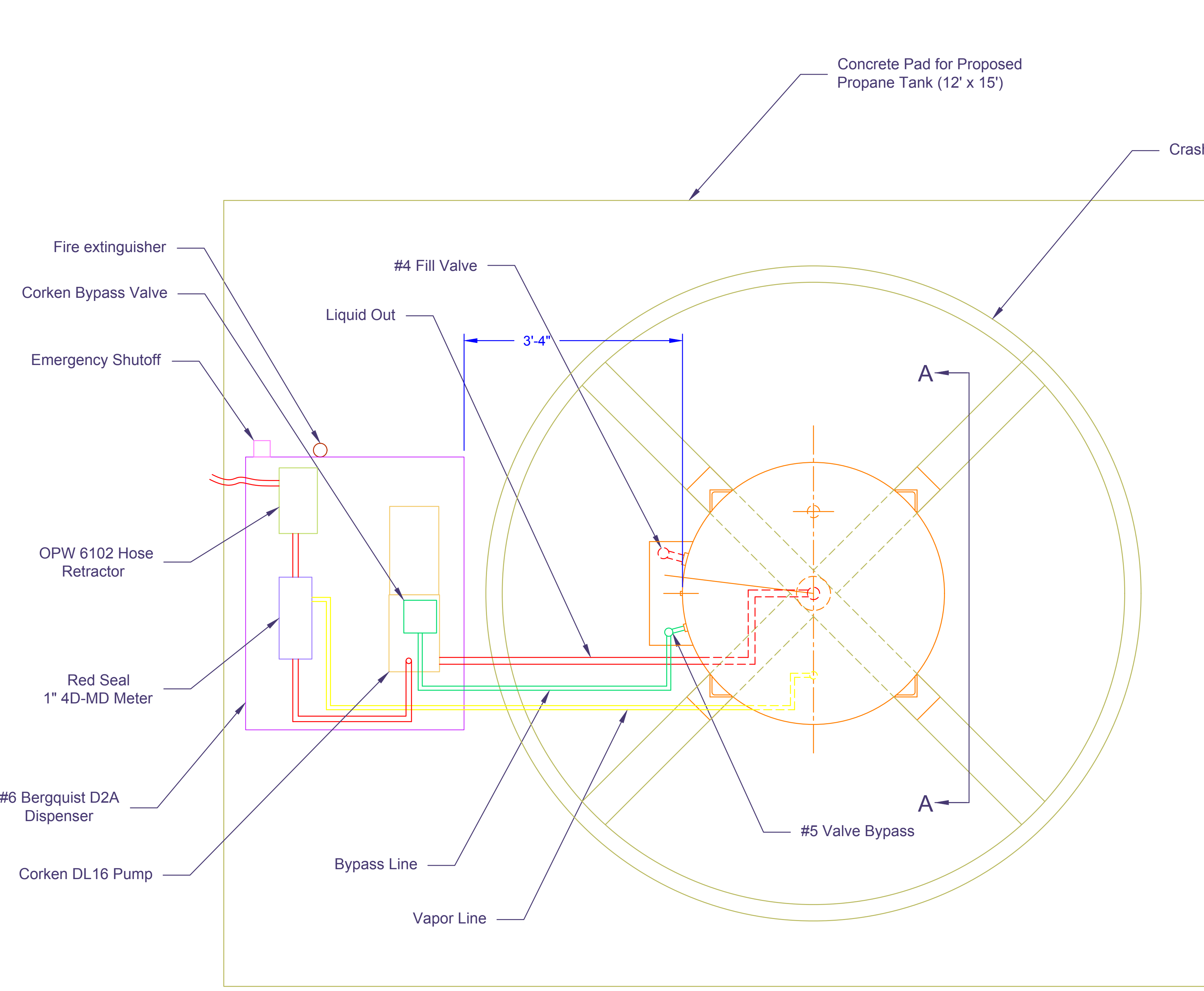
Date:
October 10, 2019

Scale
1"=15'

Page
2

Notes:
 All globe valves on new install to
 have locking devices.
 After removing portion of fence to
 install new tank and piping all globe
 valves on old tank to have locking
 devices.

- | | | | | | |
|--|------------------------|--|---------------------|--|----------------------------|
| | Property Line | | Existing Fencing | | Crash protection |
| | Vapor Line | | Pump | | Fire Extinguisher |
| | Liquid Line | | Bulkhead | | Buildable Property Line |
| | Propane Tanks | | Relief Valves | | Roadway |
| | Structure | | Concrete Piers | | Proposed new install cloud |
| | Fuel Oil Berm | | Fuel Oil Unload | | |
| | Fuel Oil Storage Tanks | | ESV Remote Location | | |



Relief valve calculations for proposed 1,150 gallon storage tank:
 Surface Area = 181.58 Sq Ft , CFM Cap. = 3818.2 (NFPA - 58 Annex E)
 (1) Rego 8685G relief manifold is capable of 4035 SCFM discharge.

Tank #1
 Tank Manufacturer: Manchester Tank
 Year built: TBD
 Manufacturer serial #TBD
 National Board #TBD
 Surface Area: 181.58 SQFT CFM's: 3818.29

Drawing By: Felker Truck and Equipment
 PO Box 139
 Dale, WI 54931
 Contact Person: Dick Klein
 Phone: (920) 779 9826

Installer:
 Ferrell North America
 7500 College Blvd Suite 1000
 Overland Park KS 66210

Drawn For:
 Tank Owner:
 U-Haul Moving & Storage of
 Warner Park
 2701 Packers Ave.
 Madison, WI 53704

Location:
 U-Haul Moving & Storage
 of Warner Park
 2701 Packers Ave.
 Madison, WI 53704

Date:
 October 10, 2019

Scale
 1" = 1'

Page
 3

Notes:
 For Legend see first page

#1- Rego : #8685G 1-1/4" Tank Relief Valve;250 psi; 4,035 CFM
 #2- Rego: 1-1/4" Internal Valve with Manual ESV
 #3- Rego: #A3272G 3/4" Excess Flow Valve - Rego #A7507AP 3/4" Globe Valve.
 #4- Rego: #8118P 1-1/4" Multi - Valve with 1-3/4" Acme Fill(1-1/4" Liquid Out Plugged)
 #5- Rego: #A3146 - 3/4" Back Check Valve - Rego #A7505AP 3/4" Globe Valve.
 #6- Bergquist Dispenser #D2A, Corken DL16 Pump, 3 HP XP Motor, Red Seal 4D-MD Meter,
 Corken B166-1CAU 1" FPT Bypass Valve.
 All piping joints will be threaded and pipe material will be Schedule 80 A53 grade B or better
 Fire extinguisher to have a minimum capacity of 18# with a B-C rating

Hydrostatic relief valves to be installed in each section of pipe piping and hoses
 where liquid can be isolated between valves to relieve pressure
 Fencing around tank(s) is to a minimum of 6 ft to prevent tampering

Drawn By:
 Neil D. Block