

File: C:\Garret\Projects\16_AEA_01-Willy Street North\Cad\16_0916 Concept.dwg Layout: context User: garret Plotted: Sep 20, 2016 - 2:14pm



design studio etc.
Landscape Architects
330 W. Lakeside Street
Madison, WI 53715
gqperry@gmail.com
P 608.358.6344

Professional Seal

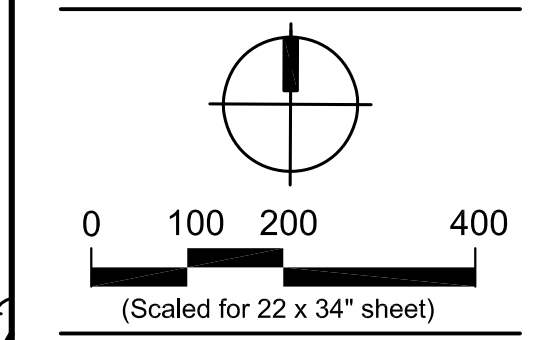
Revision Date

Project Name
Willy Street Co-Op North
Sherman Plaza
2921 Sherman Avenue
Madison, WI 53704

Key Plan

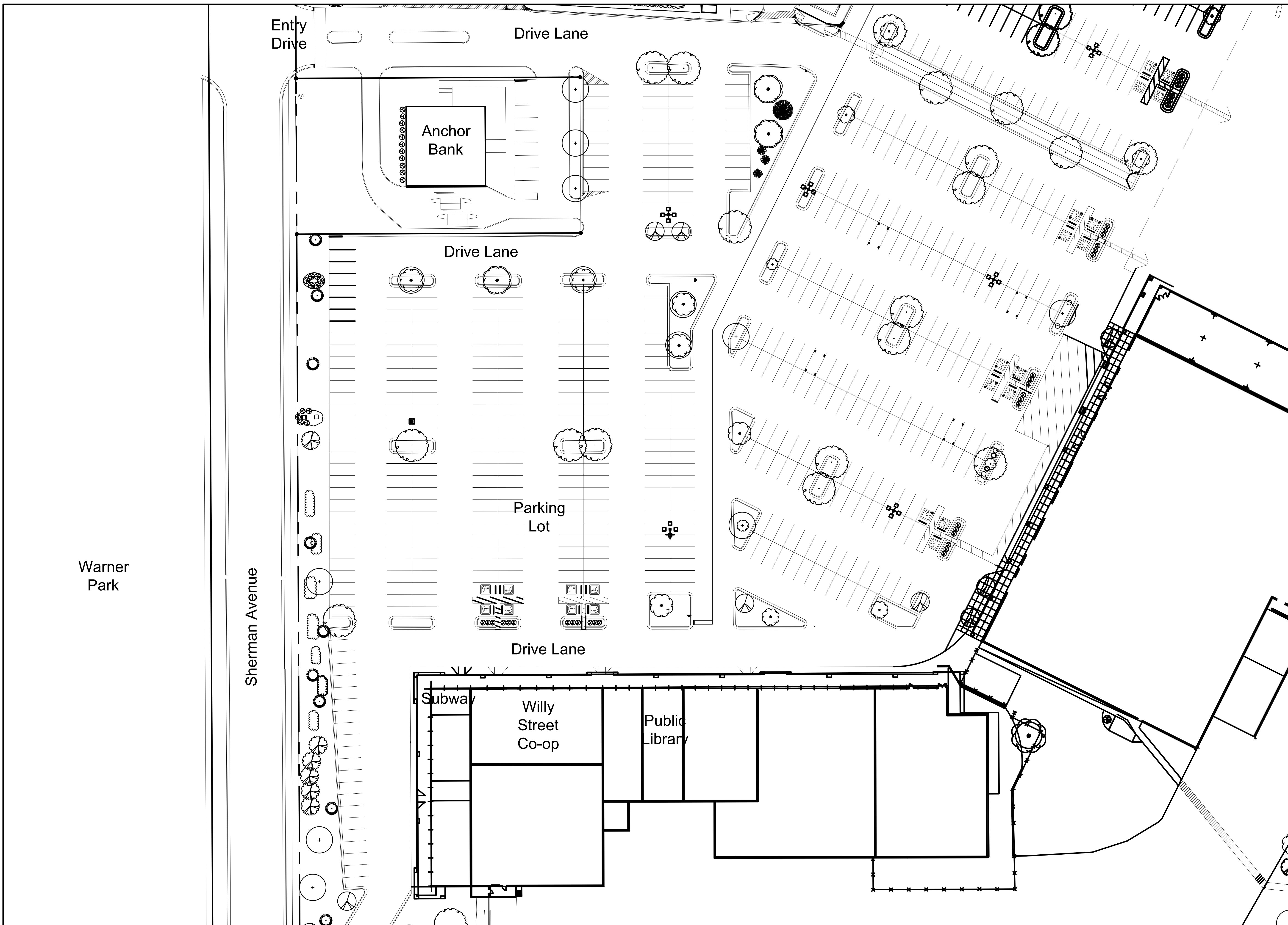
Drawn By: GQP
Checked By: GQP
File:
Issued For: Cond Use App
Issue Date: 16_0921
Project No. 16_AEA_01
Sheet Name

Site Context Plan



Sheet Number

L1



Warner Park

Sherman Avenue

Entry Drive

Drive Lane

Drive Lane

Parking Lot

Drive Lane

Subway

Willy Street Co-op

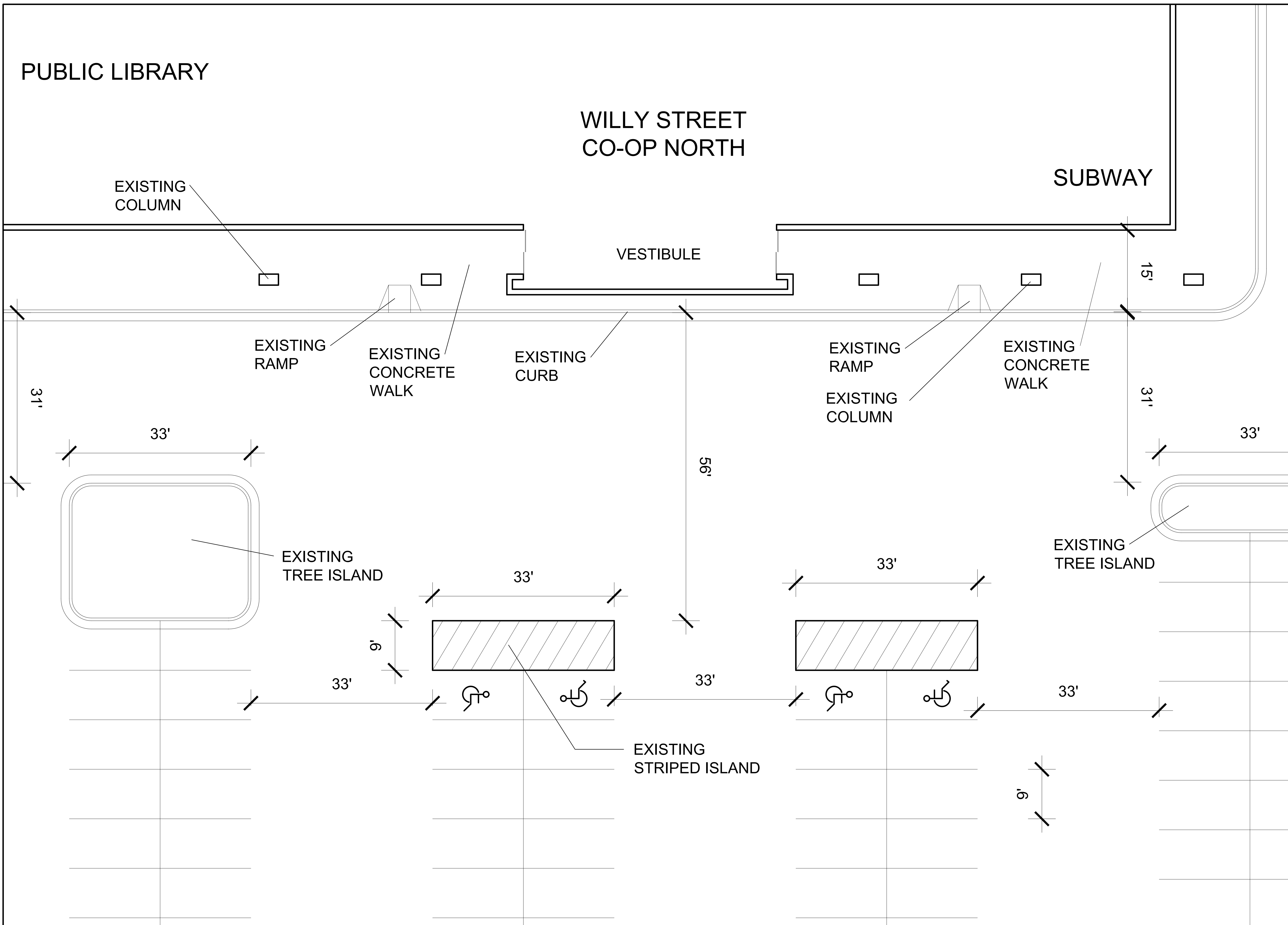
Public Library

Anchor Bank

PUBLIC LIBRARY

WILLY STREET
CO-OP NORTH

SUBWAY



design studio etc.
 Landscape Architects
 330 W. Lakeside Street
 Madison, WI 53715
 gqperry@gmail.com
 P 608.358.6344

Professional Seal

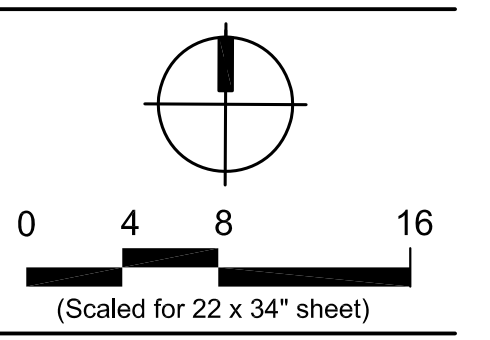
Revision	Date

Project Name
 Willy Street Co-Op North
 Sherman Plaza
 2921 Sherman Avenue
 Madison, WI 53704

Key Plan

Drawn By: GQP
 Checked By: GQP
 File:
 Issued For: Cond Use App
 Issue Date: 16_0921
 Project No. 16_AEA_01

Existing Condition



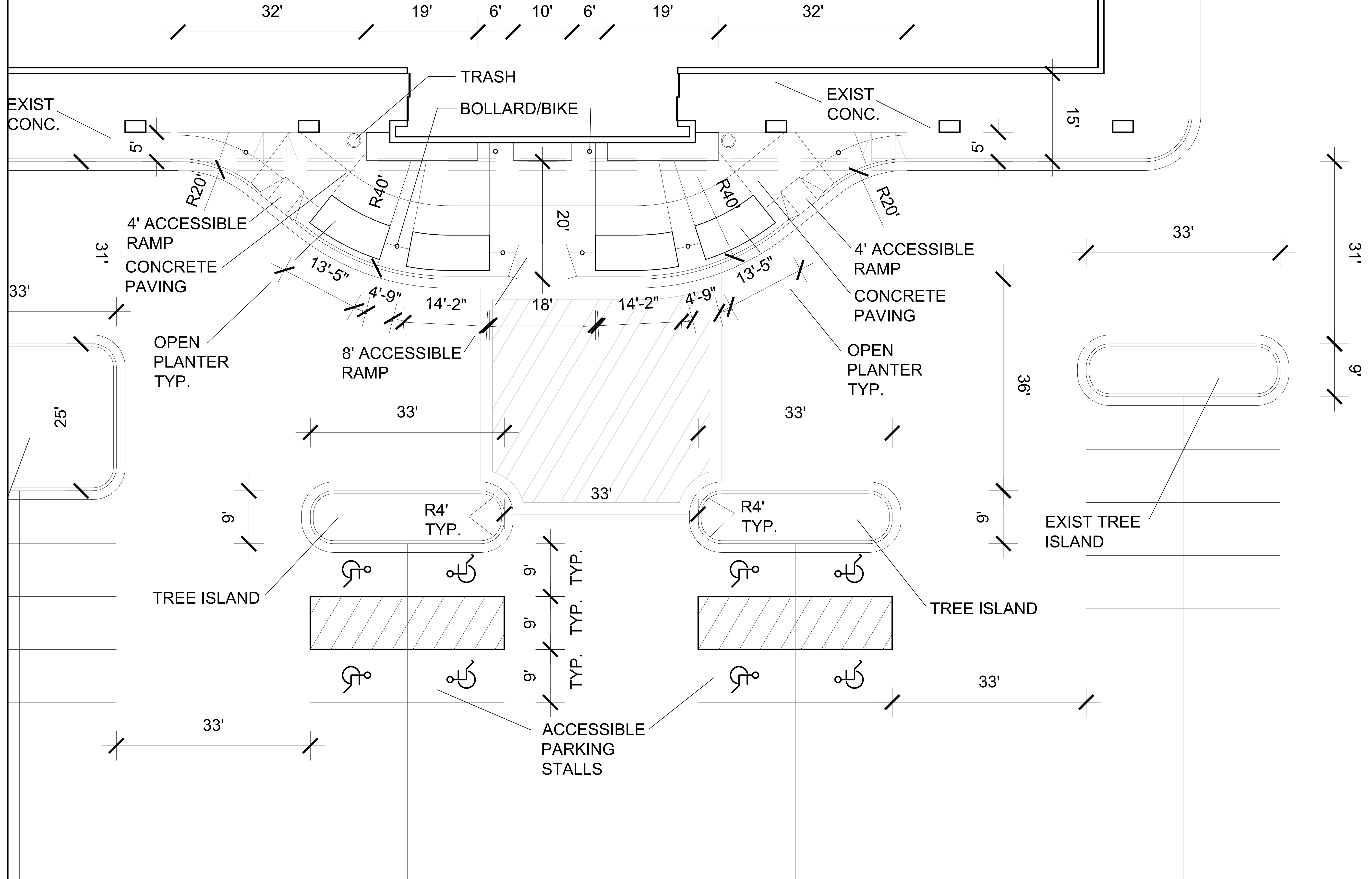
Sheet Number

L2

PUBLIC LIBRARY

WILLY STREET CO-OP NORTH

SUBWAY



etc.
design studio

design studio **etc.**
Landscape Architects
330 W. Lakeside Street
Madison, WI 53715
gqperry@gmail.com
P 608.358.6344

Professional Seal

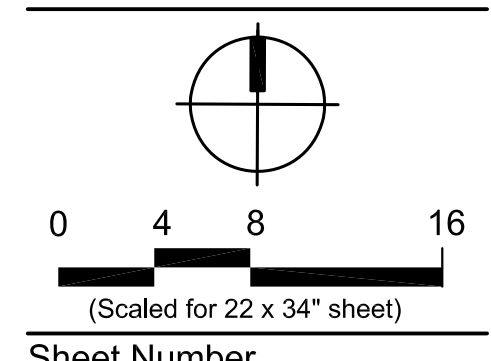
Revision	Date

Project Name

Key Plan

Drawn By: GQP
Checked By: GQP
File:
Issued For: Cond Use App
Issue Date: 16_0921
Project No. 16_AEA_01
Sheet Name

Layout Plan

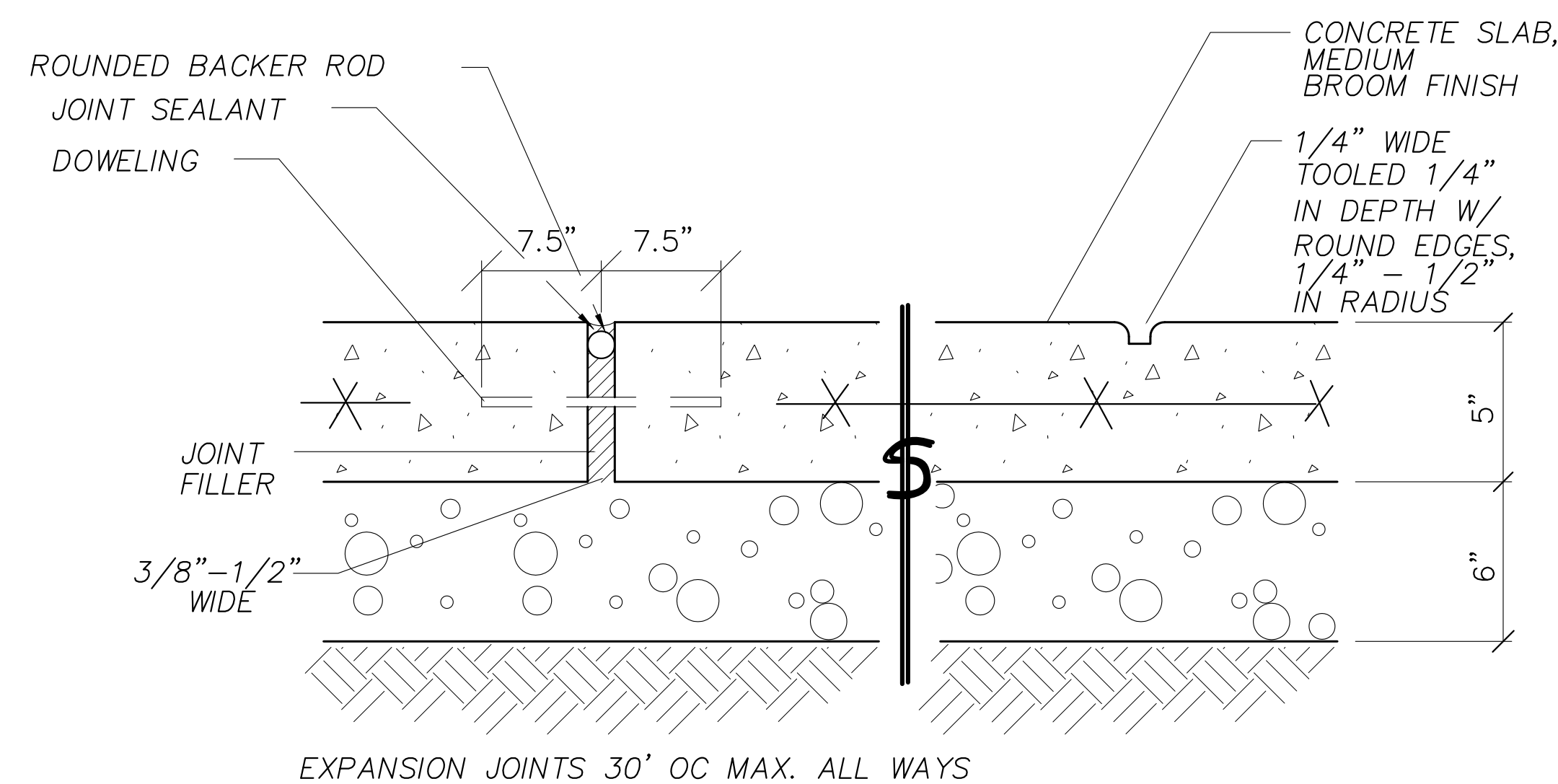


Sheet Number

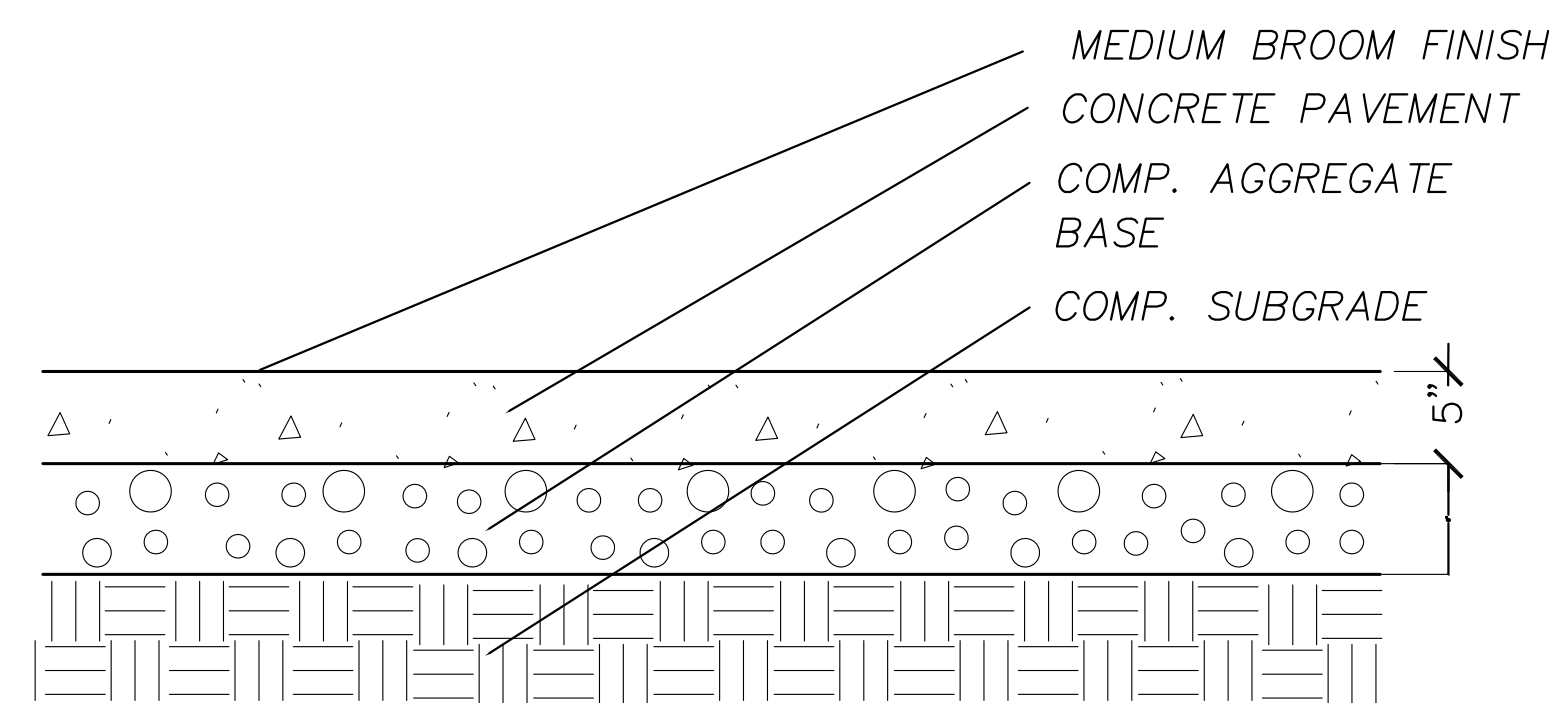
L3

PROPOSED PLANTING PALETTE

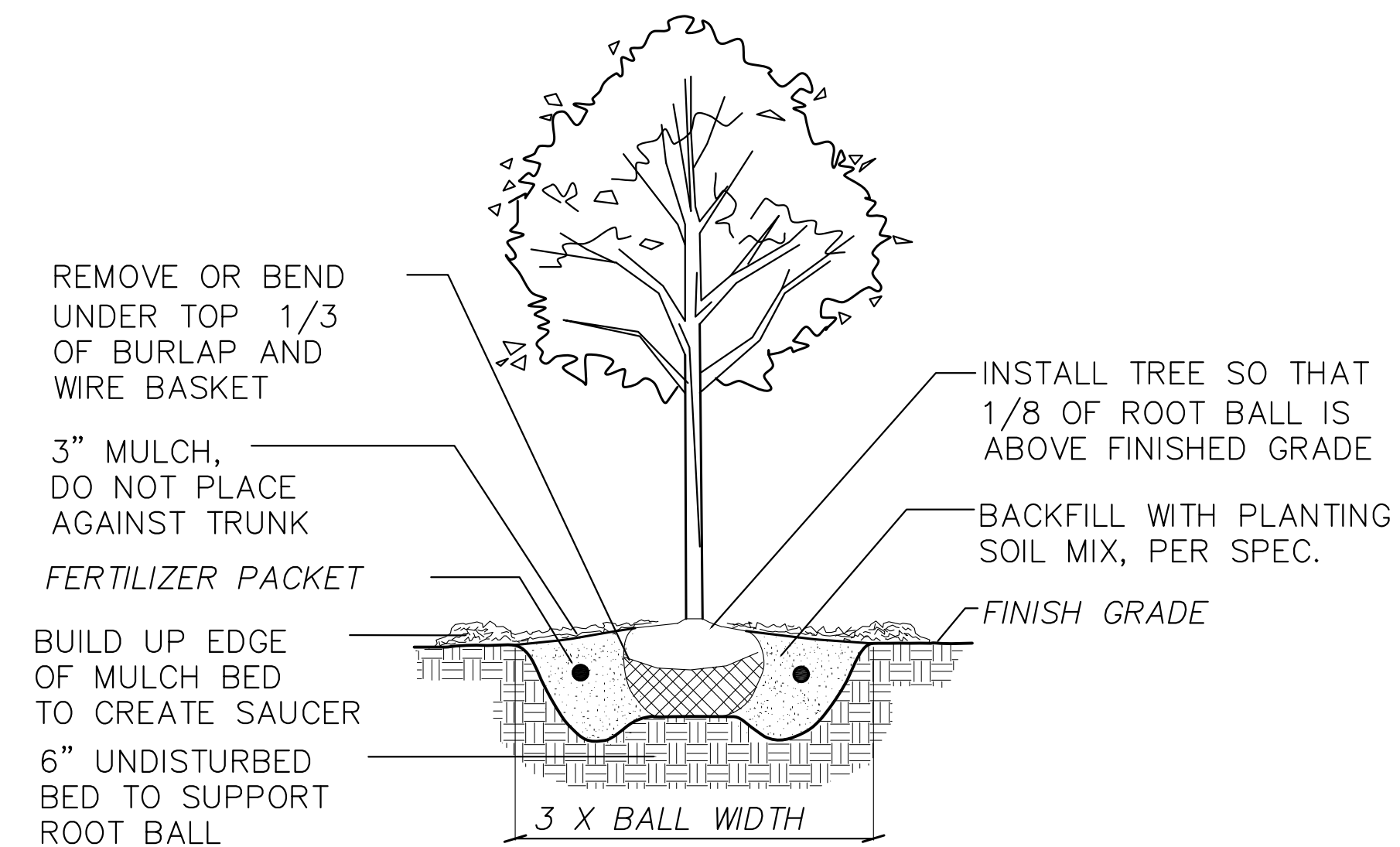
Code	Scientific Name	Common Name	Size	Cont.
TREES				
Gt	Gleditsia tricanthos 'Skyline'	Skyline Honeylocust	2" Cal	B&B
Mc	Malus 'Candied Apple'	Candied Apple Crab	1 1/2" Cal	B&B
SHRUBS				
Hk	Hypericum kalmianum 'Ames'	Ames St. Johns Wort	3 gal.	pot
Sb	Spirea japonica 'Forbelli'	Frobel Spirea	2 gal.	pot
Tm	Taxus x media 'Taunton'	Tauton Yew	5 gal.	pot
Si	Stephanadra incisa 'Crispa'	Cutleaf Stephanandra	2 gal.	pot
PERENNIALS / GROUNDCOVERS / GRASSES				
Ca	Calamagrostis arundinacea	Karl Forester Fther.Rd.Grass	1 gal.	pot
Cs	Coreopsis 'Sunray'	Sunray Coreopsis	1 gal.	pot
Rf	Rudbeckia fulgida	Black Eyed Susan	1 gal.	pot
Pa	Pennesetum alop. 'Hameln'	Hameln Dwf. Fountaingrass	1 qt.	pot



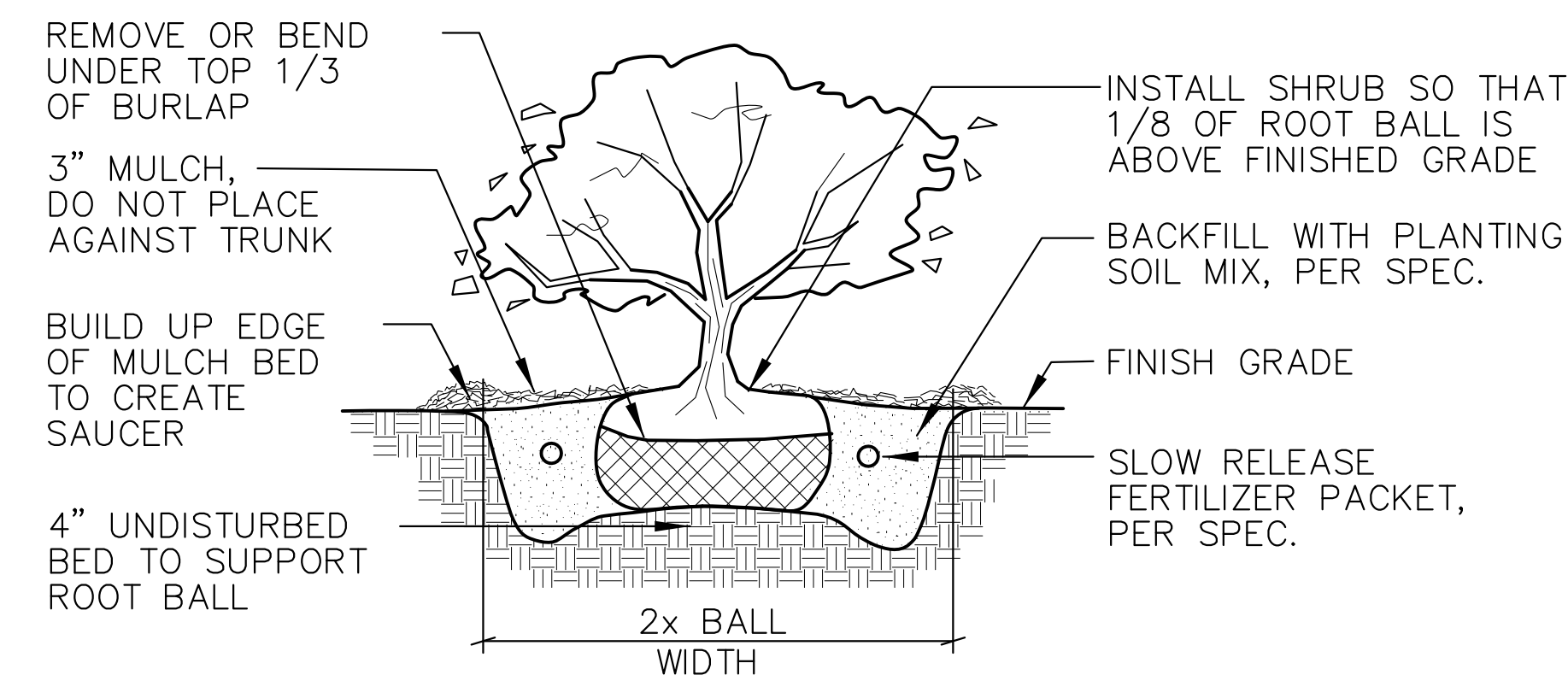
1 EXPANSION/CONTROL JOINT-SECTION NTS



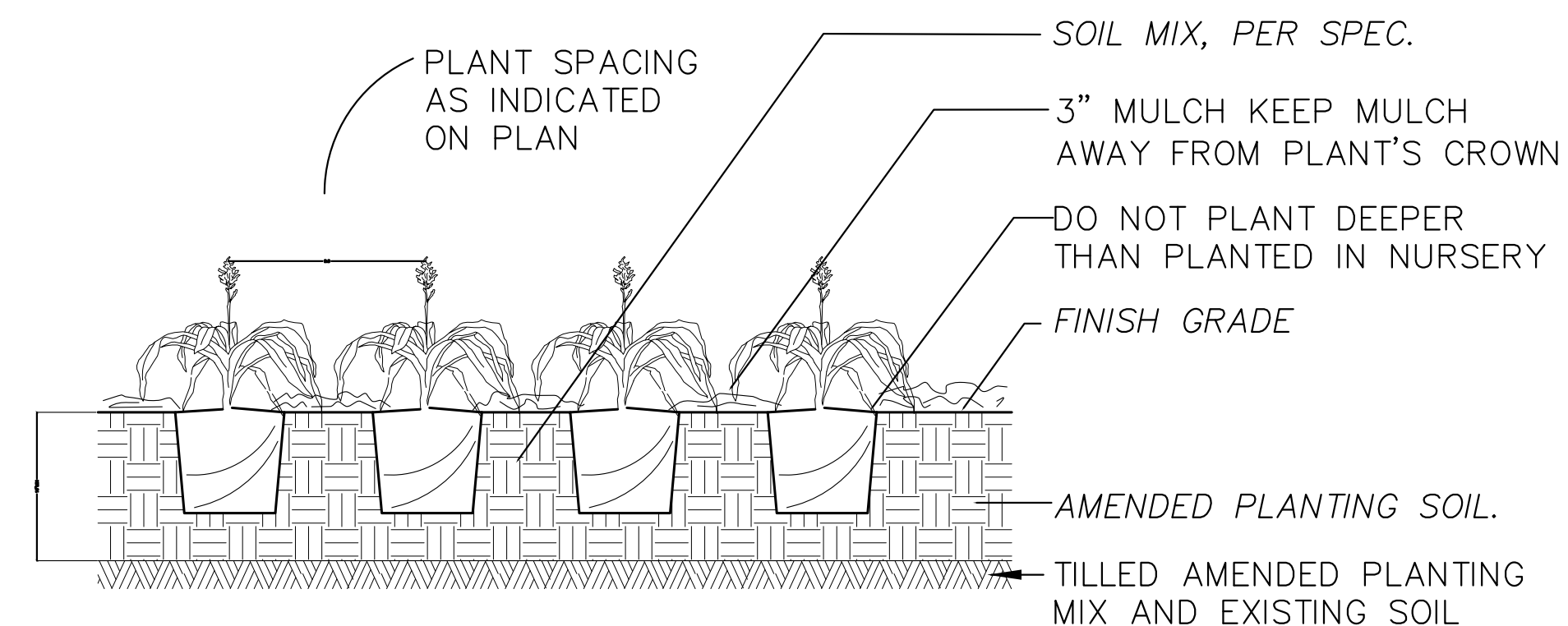
2 PED LOAD CONCRETE PAVEMENT-SECTION NTS



3 B&B TREE PLANTING DETAIL NTS



4 B&B SHRUB PLANTING DETAIL NTS



5 GROUNDCOVER / PERENNIAL PLANTING DETAIL NTS