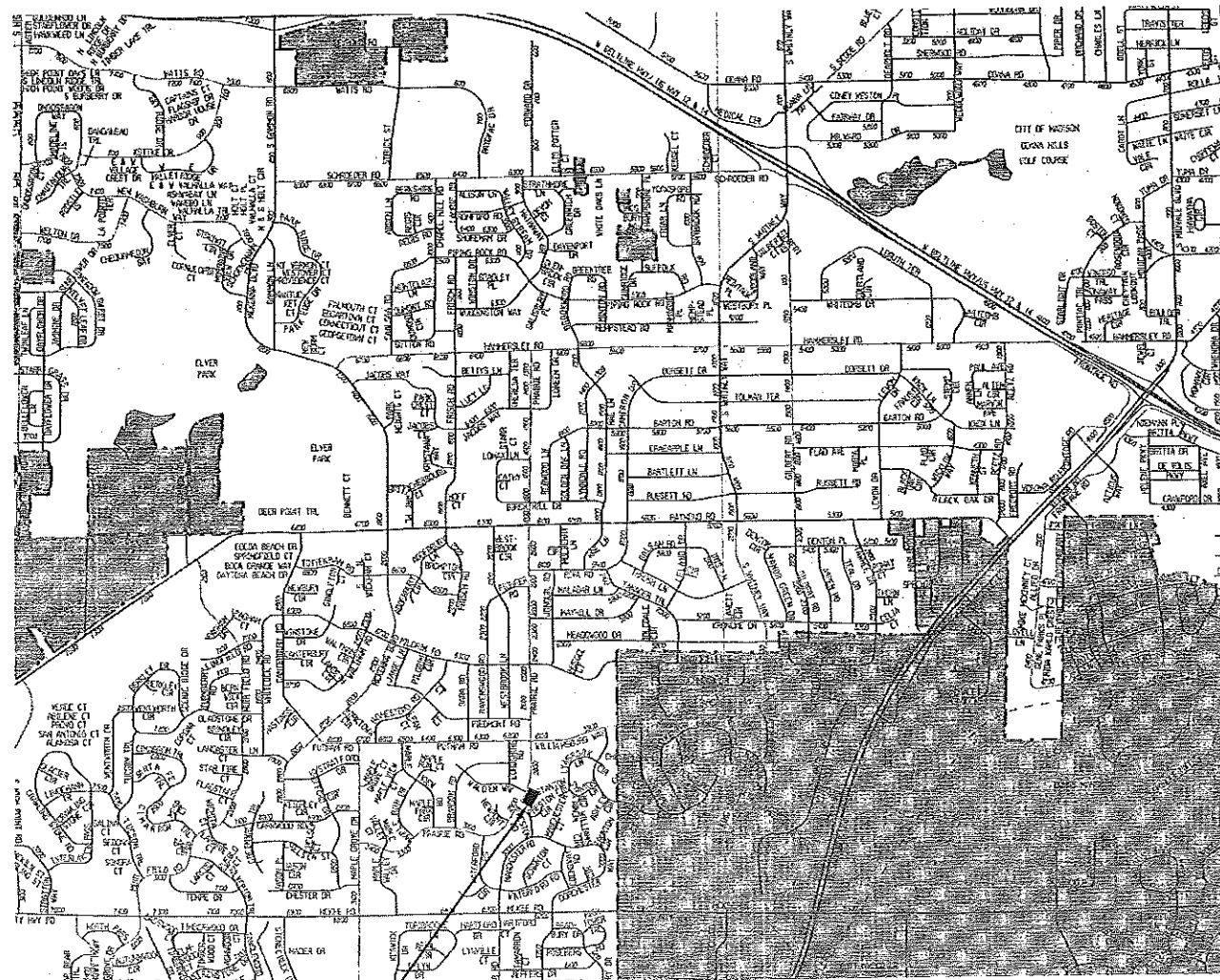
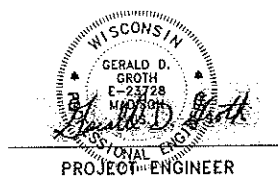


MADISON WATER UTILITY MADISON, WISCONSIN 400,000 GALLON PRAIRIE ROAD WATER STORAGE TANK



PROJECT LOCATION
2829 PRAIRIE ROAD

VICINITY MAP



I:\CRYSTAL LAKE\MADUD\101062-PRAIRIE RD ET, CAD00-SURVEY DRAWINGS\DWGS\101062-CVR.DWG CVR
 Plotted: 3/15/2011 12:08 PM By: 022DEX
 Copyright © 2011, By Baxter & Woodman, Inc.
 State of Wisconsin - Professional Design Firm
 License No. - 484-001 - Expires 1-31-12



CALL DIGGERS HOTLINE
1-800-242-8511
TOLL FREE

WIS. STATUTE 182.0175 (1974)
 REQUIRES MIN. OF 3 WORK DAYS
 NOTICE BEFORE YOU EXCAVATE.

Madison, Wisconsin
 608.277.1230

Burlington, Wisconsin
 262.763.7834

Crystal Lake, Illinois
 815.459.1260

Graylake, Illinois
 847.223.5088

Plainfield, Illinois
 815.609.7425

Mokena, Illinois
 708.478.2090

DeKalb, Illinois
 815.787.3111

Chicago, Illinois
 312.578.0050

Itasca, Illinois
 630.773.1870

BAXTER & WOODMAN, INC.
 STATE OF WISCONSIN - PROFESSIONAL DESIGN FIRM
 LICENSE NO. - 484-001 - EXPIRES 1/31/2012

PROJECT NO.: 101062.40 DATE: 3-14-11

COPYRIGHT © 2011, BY BAXTER & WOODMAN, INC.
 ALL RIGHTS RESERVED. NO PART OF THESE DRAWINGS
 MAY BE REPRODUCED, OR OTHERWISE REVEALED WITHOUT
 WRITTEN PERMISSION OF BAXTER & WOODMAN, INC.



CONSULTANTS

REVISIONS	
NO.	DATE DESCRIPTION
1	2-4-09 PER ADDENDUM NO. 2

* REFER TO EQUIPMENT MANUFACTURERS SHOP DRAWING

PLAN SHEET DESIGNATION	
COVER	
G - GENERAL	
H - HEATING & VENTILATING	
C - CIVIL	
L - LANDSCAPE	
S - STRUCTURAL	
A - ARCHITECTURAL	
I - INSTRUMENTATION	
Q - EQUIPMENT	
F - FIRE PROTECTION	
P - PLUMBING	
M - MECHANICAL	
E - ELECTRICAL	
T - TELECOMMUNICATIONS	
OP - OPERATIONS	

PROJECT NO:	101062.40
SCALE:	NONE
DRAWING DATE:	3-14-11
DESIGNED BY:	GDD
DRAWN BY:	DEK
CHECKED BY:	GDD

CLIENT
**MADISON WATER UTILITY
MADISON, WISCONSIN
400,000 GALLON
PRAIRIE ROAD
WATER STORAGE TANK**

SHEET TITLE
**LEGEND, ABBREVIATIONS,
INDEX, GENERAL NOTES
AND BENCHMARK**

G-1

TITLE	SHEET NO.		
	GENERAL	CIVIL	ELECTRICAL
LEGEND, ABBREVIATIONS, INDEX, GENERAL NOTES AND BENCHMARK	G-1		
EXISTING SITE PLAN AND DEMOLITION PLAN		C-1	
SITE PLAN		C-2	
EROSION CONTROL AND SITE BOUNDARY		EC-1	
PLAN & ELEVATION	M-1		
SECTION AND DETAILS	M-2		
ELECTRICAL SITE PLAN AND SECTION			E-1
ELECTRICAL PLAN AND DETAILS			E-2
ELECTRICAL SYMBOL LIST			E-3

ABBREVIATIONS

CL	CENTERLINE	R	STRUCTURE TO BE RECONSTRUCTED
CONC	PORTLAND CEMENT CONCRETE	A	STRUCTURE TO BE ADJUSTED
BIT	BITUMINOUS PAVEMENT	Δ	CENTRAL ANGLE
GR	GRAVEL	D=	DEGREE OF CURVE
CMP	CORRUGATED METAL PIPE	T=	TANGENT LENGTH
FH	FIRE HYDRANT	L=	CURVE LENGTH
CI	CAST IRON	R=	RADIUS OF CURVE
DI	DUCTILE IRON	E=	EXTERNAL DISTANCE
F-F	FACE-TO-FACE	SE=	SUPERELEVATION (FT. PER FT. OF WIDTH)
E-E	EDGE-TO-EDGE	X=	EXTERNAL DISTANCE OF VERTICAL CURVE
B-B	BACK-TO-BACK	PC	POINT OF CURVATURE
BM	BENCH MARK	PI	POINT OF INTERSECTION
INV EL	INVERT ELEVATION	PT	POINT OF TANGENCY
CL EL	CENTERLINE ELEVATION	POT	POINT ON TANGENCY
P	POINT	PCC	POINT OF COMPOUND CURVATURE
G	GUTTER	PRC	POINT OF REVERSE CURVATURE
C	CURB	VC	VERTICAL CURVE
BC	BACK OF CURB	N&W	NAIL AND WASHER
EOP	EDGE OF PAVEMENT	TCE	TEMPORARY CONSTRUCTION EASEMENT
PL	PROPERTY LINE		
RGW	RIGHT OF WAY		
FL	FLOW LINE		
TF	TOP OF FRAME		
TC	TOP OF CURB OR CONCRETE		

BENCHMARKS

BM = WELL HOUSE FINISH FLOOR ELEVATION = 1113.39

LEGEND

EXISTING		PROPOSED
—SA—	WORK BOUNDARY FENCE	—WBF—
—ST—	SILT FENCE	—SF—
—W—	SANITARY SEWER OR SERVICE	—SA—
—WS—	STORM SEWER OR SERVICE	—ST—
—FM—	WATER MAIN	—W—
○	WATER SERVICE	—WS—
○	FORCE MAIN	—FM—
○	MANHOLE	○
○	CATCH BASIN	○
□	INLET	□
□	DRYWELL	□
▽	FLARED END SECTION	▽
○	FIRE HYDRANT	○
○	WATER VALVE W/ BOX AND COVER	○
□	WATER VALVE VAULT	□
○	WATER SERVICE BOX OR CURB STOP	○
○	WATER METER	○
○	CLEAN OUT	○
○	SEPTIC VENT	○
○	TO BE ABANDONED AND/OR REMOVED	○
—G—	GAS LINE	—G—
○	GAS VALVE W/ BOX AND COVER	○
□	GAS VALVE VAULT	□
○	GAS METER	○
○	GAS RISER	○
○	GAS SERVICE VALVE	○
—T—	TELEPHONE CABLE	—T—
—TD—	TELEPHONE DUCT	—TD—
□	TELEPHONE VAULT	□
○	TELEPHONE RISER	○
—TV—	CABLE TELEVISION (BURIED)	—TV—
○	CABLE T.V. RISER	○
□	CABLE T.V. VAULT	□
—E—	UNDERGROUND ELECTRICAL	—E—
○	ELECTRIC METER	○
□	PAD MOUNTED TRANSFORMER	□
□	ELECTRIC VAULT	□
○	JUNCTION BOX	○
○	UTILITY POLE w/ GUY ANCHOR	○
○	UTILITY POLE w/ LIGHT	○
○	LIGHT STANDARD	○
○	MAIL BOX	○
○	STREET SIGN	○
○	RAILROAD SIGNAL	○
○	TRAFFIC SIGNAL CONTROLLER	○
○	TRAFFIC SIGNAL POST w/ SIGNAL HEAD	○
○	HANDHOLE	○
○	DECIDUOUS TREE (W/ TRUNK INCH DIA.)	○
○	CONFEROUS TREE (W/ HEIGHT)	○
○	DECIDUOUS BUSH	○
○	CONFEROUS BUSH	○
○	DEFINING EDGE OF BRUSH OR FORESTED AREA	○
○	FENCE	○
○	GUARD RAIL	○
○	CULVERT (CMP UNLESS NOTED)	○
○	DITCH	○
○	SUMMIT	○
○	EDGE OF LAKE, RIVER, ETC.	○
○	MARSH	○
○	TOP OR TOE OF SLOPE	○
○	CONTOUR	○
○	EASEMENT	○
○	RIGHT OF WAY (ROW)	○
○	FENCED RIGHT OF WAY (ROW)	○
○	RIGHT OF WAY MONUMENT	○
○	UNFENCED PROPERTY LINE	○
○	FENCED PROPERTY LINE	○
○	IRON PIPE (PROPERTY CORNER)	○
○	CORPORATE LIMITS	○
○	BASE LINE OR SURVEY LINE	○
○	CENTER LINE	○
○	PROPOSED EL/(EXISTING EL.) (POINT, GUTTER, TOP OF CURB)	○
○	SOIL BORING AND NUMBER	○
○	BENCH MARK	○
○	SURVEY CONTROL POINT	○

GENERAL NOTES

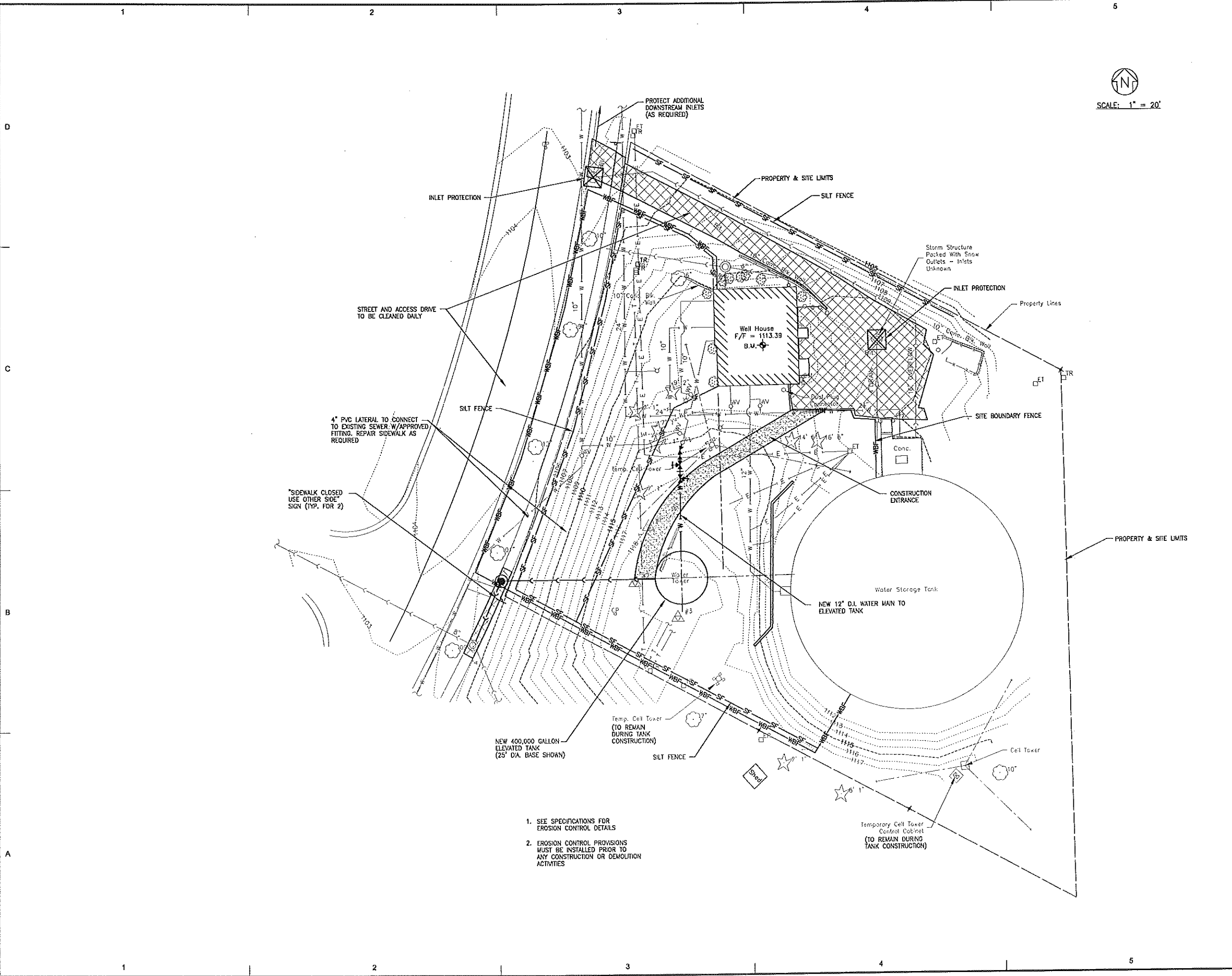
- ALL WORK SHALL BE COMPLETED IN ACCORDANCE WITH STATE OF WISCONSIN DEPARTMENT OF TRANSPORTATION STANDARD SPECIFICATIONS AND DEPARTMENT OF NATURAL RESOURCES REQUIREMENTS.
- EROSION CONTROL DEVICES SHALL BE INSTALLED PRIOR TO THE COMMENCEMENT OF ANY WORK, IN ACCORDANCE WITH THE EROSION CONTROL NOTES LISTED BELOW.
- CONTRACTOR SHALL BE RESPONSIBLE FOR CONTACTING THE OWNER OF ALL EXISTING FACILITIES SO THE UTILITIES AND THEIR APPURTENANCES MAY BE LOCATED AND ADJUSTED, IF NEEDED, PRIOR TO THE START OF CONSTRUCTION. THE CONTRACTOR SHALL COOPERATE WITH ALL UTILITY OWNERS AS PROVIDED FOR IN THE SPECIFICATIONS.
- WHERE THE PROPOSED PAVEMENT, SIDEWALK, OR DRIVEWAYS ADJUT EXISTING PAVEMENT SHALL BE SAW-CUT TO PROVIDE A NEAT VERTICAL FACE BETWEEN THE PROPOSED AND EXISTING SURFACES AND SHALL BE CONSIDERED INCIDENTAL TO CONSTRUCTION.
- CONTRACTOR SHALL PROTECT FROM DAMAGE ALL CONCRETE AND ASPHALT AREAS TO REMAIN.
- ONLY CITY OF MADISON PERSONNEL ARE ALLOWED TO OPERATE VALVES AND FIRE HYDRANTS. HYDRANTS SHALL NOT BE UTILIZED FOR MISCELLANEOUS WATER USE.
- CONTRACTOR SHALL CONTACT THE CITY OF MADISON PUBLIC WORKS DEPARTMENT 48 HOURS PRIOR TO COMMENCEMENT OF ANY WORK ON THE SITE.

EROSION CONTROL NOTES

- ALL WORK SHALL BE COMPLETED IN ACCORDANCE WITH THE STATE OF WISCONSIN DEPARTMENT OF NATURAL RESOURCES REQUIREMENTS.
- EROSION CONTROL DEVICES SHALL BE INSTALLED PRIOR TO THE COMMENCEMENT OF ANY WORK, MAINTAINED THROUGHOUT THE WORK, AND REMOVED AS DIRECTED BY THE ENGINEER.
- SILT FENCE SHALL BE MAINTAINED AT LEAST ON A WEEKLY BASIS AND AFTER RAIN EVENTS OF 1/2-INCH OR GREATER.
- EROSION BLANKETS SHALL BE PLACED ON RESTORED SLOPES OF 3:1 OR GREATER AND ALONG THE BOTTOM OF ALL DITCHES TO A WIDTH OF 4 FEET. THE COST SHALL BE INCIDENTAL TO THE CONTRACT. LOCATIONS OF THE EROSION BLANKETS WILL BE DETERMINED DURING CONSTRUCTION.
- TRACKING PADS SHALL BE INSTALLED AT ALL CONSTRUCTION SITE EXIT LOCATIONS.
- REFER TO THE SPECIFICATIONS AND STANDARD DETAILS FOR MATERIALS AND INSTALLATION METHODS.

I:\CRYSTAL LAKE\MADISON\101062-PRAIRIE RD ET AL\CAD\DRAWINGS\DWGS\101062-01.DWG G-1
 Plotted: 3/15/2011 11:25 AM By: 022DEK
 Copyright © 2011, by Baxter & Woodman, Inc.
 Wisconsin Professional Engineer License No. 484-001
 Engineer: 3-1-11

I:\CRYSTAL LAKE\WATOU\101062-PROJ\EROD-PROJ\EROD-PROJ\101062-TP90-CSD.DWG EC-1
 Plotted: 3/4/2011 1:52 PM By: JCD/DEK
 Drawing Title: Erosion Control Details
 Drawing No.: 484-001 - Erosion Control 11-31-12



CONSULTANTS

NO.	DATE	DESCRIPTION

REFER TO EQUIPMENT MANUFACTURERS SHOP DRAWING

PLAN SHEET DESIGNATION

COVER	GENERAL
GD	HEATING & VENTILATING
CO	CIVIL
L	LANDSCAPE
SA	STRUCTURAL
I	INSTRUMENTATION
Q	EQUIPMENT
F	FIRE PROTECTION
P	PLUMBING
M	MECHANICAL
E	ELECTRICAL
T	TELECOMMUNICATIONS
OP	OPERATIONS

PROJECT NO:	101062.40
SCALE:	AS NOTED
DRAWING DATE:	3-14-11
DESIGNED BY:	GDD
DRAWN BY:	DEK
CHECKED BY:	GDD

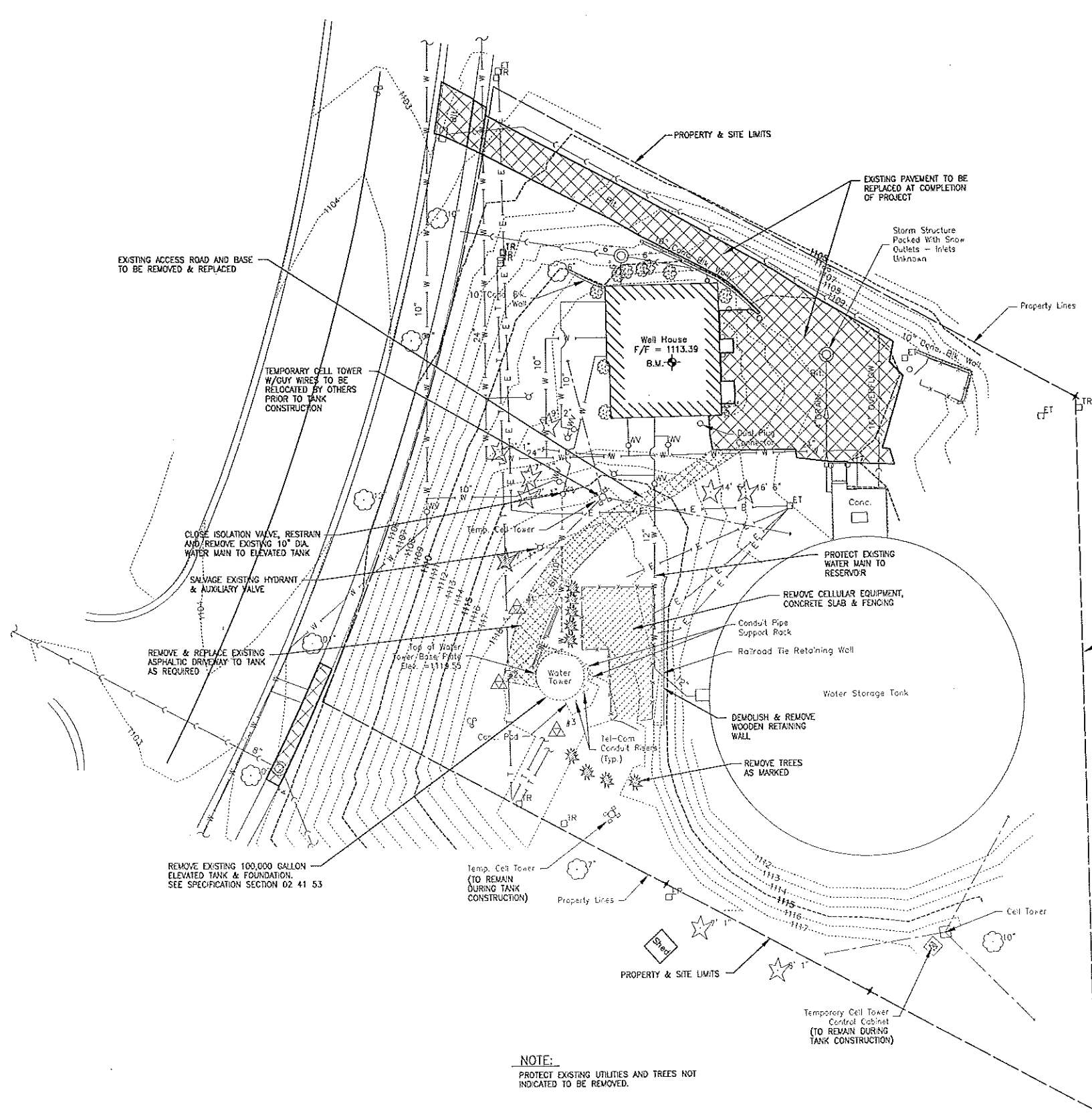
CLIENT

**MADISON WATER UTILITY
MADISON, WISCONSIN
400,000 GALLON
PRAIRIE ROAD
WATER STORAGE TANK**

SHEET TITLE

**EROSION CONTROL
AND SITE
BOUNDARY**

EC-1



NOTE:
 PROTECT EXISTING UTILITIES AND TREES NOT INDICATED TO BE REMOVED.

CONSULTANTS

NO.	DATE	REVISIONS DESCRIPTION

** REFER TO EQUIPMENT MANUFACTURERS SHOP DRAWING

PLAN SHEET DESIGNATION

COVER
G - GENERAL
H - HEATING & VENTILATING
C - CIVIL
L - LANDSCAPE
S - STRUCTURAL
A - ARCHITECTURAL
I - INSTRUMENTATION
O - EQUIPMENT
F - FIRE PROTECTION
P - PLUMBING
M - MECHANICAL
E - ELECTRICAL
T - TELECOMMUNICATIONS
OP - OPERATIONS

PROJECT NO:	101062-40
SCALE:	AS NOTED
DRAWING DATE:	3-14-11
DESIGNED BY:	GDG
DRAWN BY:	DEX
CHECKED BY:	GDG

CLIENT

MADISON WATER UTILITY
MADISON, WISCONSIN
400,000 GALLON
PRAIRIE ROAD
WATER STORAGE TANK

SHEET TITLE

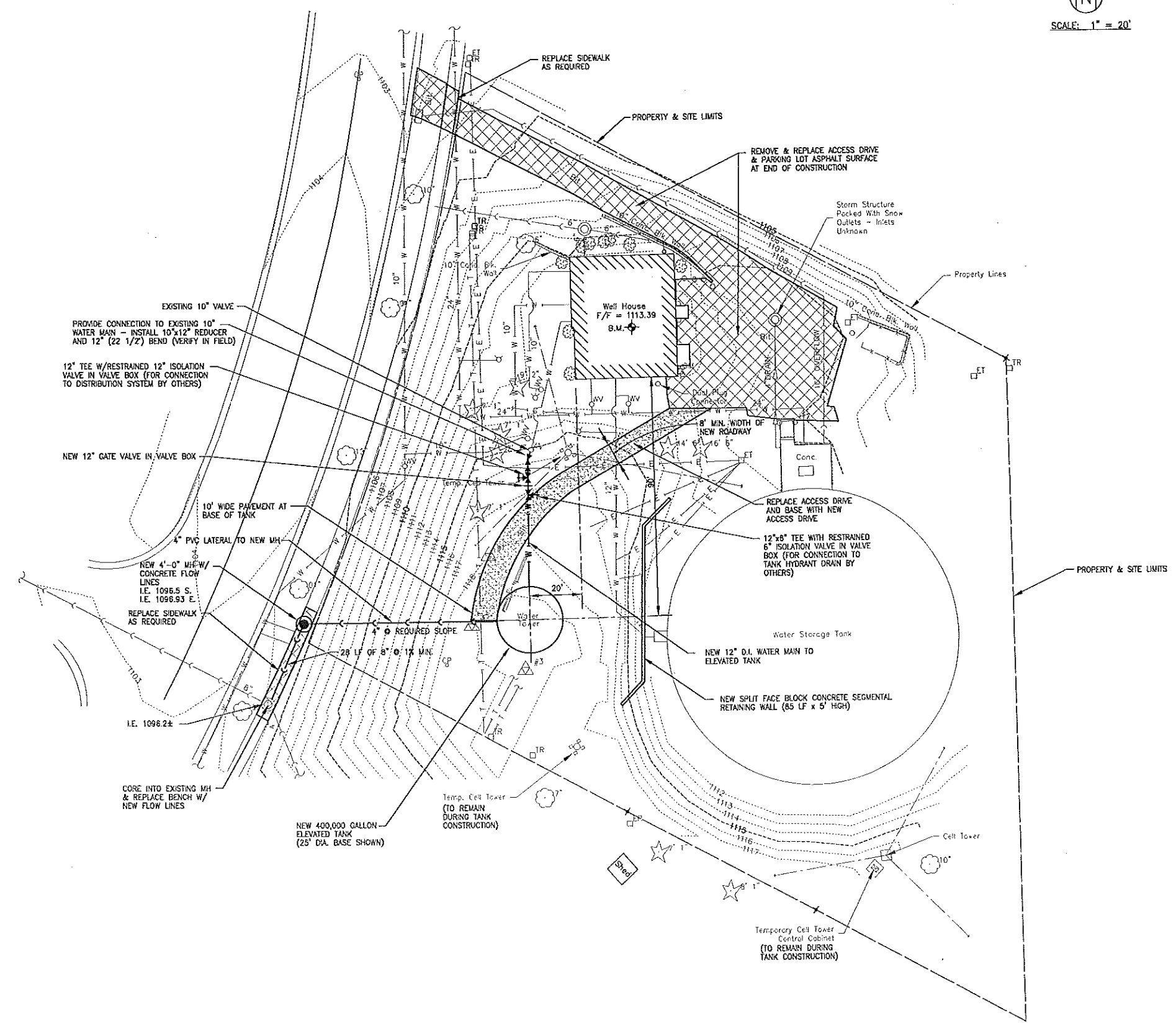
EXISTING SITE PLAN AND DEMOLITION PLAN

C-1

I:\CRYSTAL_144\WACUDA\101062-PROJARED ET\CAD-DRAWINGS\DWG\101062-TOPO-C3D.DWG C-1
 Plotted 3/15/11 10:02 AM by G2DEX
 Printed 3/15/11 10:02 AM by G2DEX
 State of Wisconsin - Professional Design Firm
 License No. - 484-001 - Expires 1-31-12



SCALE: 1" = 20'



CONSULTANTS

NO.	DATE	DESCRIPTION

** REFER TO EQUIPMENT MANUFACTURERS SHOP DRAWING

PLAN SHEET DESIGNATION

COVER	
G - GENERAL	
H - HEATING & VENTILATING	
C - CIVIL	
L - LANDSCAPE	
S - STRUCTURAL	
A - ARCHITECTURAL	
I - INSTRUMENTATION	
Q - EQUIPMENT	
F - FIRE PROTECTION	
P - PLUMBING	
M - MECHANICAL	
E - ELECTRICAL	
T - TELECOMMUNICATIONS	
OP - OPERATIONS	

PROJECT NO.	101062.40
SCALE:	AS NOTED
DRAWING DATE:	3-14-11
DESIGNED BY:	GDG
DRAWN BY:	DEK
CHECKED BY:	GDG

CLIENT

**MADISON WATER UTILITY
MADISON, WISCONSIN**
400,000 GALLON
PRAIRIE ROAD
WATER STORAGE TANK

SHEET TITLE

SITE PLAN

C-2

I:\PROJECTS\101062\101062-PROPOSED ELEVATED TANK\DRAWINGS\DWG\101062-TOPO-C2D.DWG C-2
 Plot Date: 3/15/2011 1:53 PM By: D20DEK
 Copyright © 2011, by Baxter & Woodman, Inc.
 State of Wisconsin - Professional Design Firm
 License No. - 484-001 - Expires 1-31-12

CONSULTANTS

NO.	DATE	DESCRIPTION

** REFER TO EQUIPMENT MANUFACTURERS SHOP DRAWING **

PLAN SHEET DESIGNATION

C	COVER
G	GENERAL
H	HEATING & VENTILATING
C	CIVIL
L	LANDSCAPE
S	STRUCTURAL
A	ARCHITECTURAL
I	INSTRUMENTATION
Q	EQUIPMENT
F	FIRE PROTECTION
P	PLUMBING
M	MECHANICAL
E	ELECTRICAL
T	TELECOMMUNICATIONS
OP	OPERATIONS

PROJECT NO: 101062.40

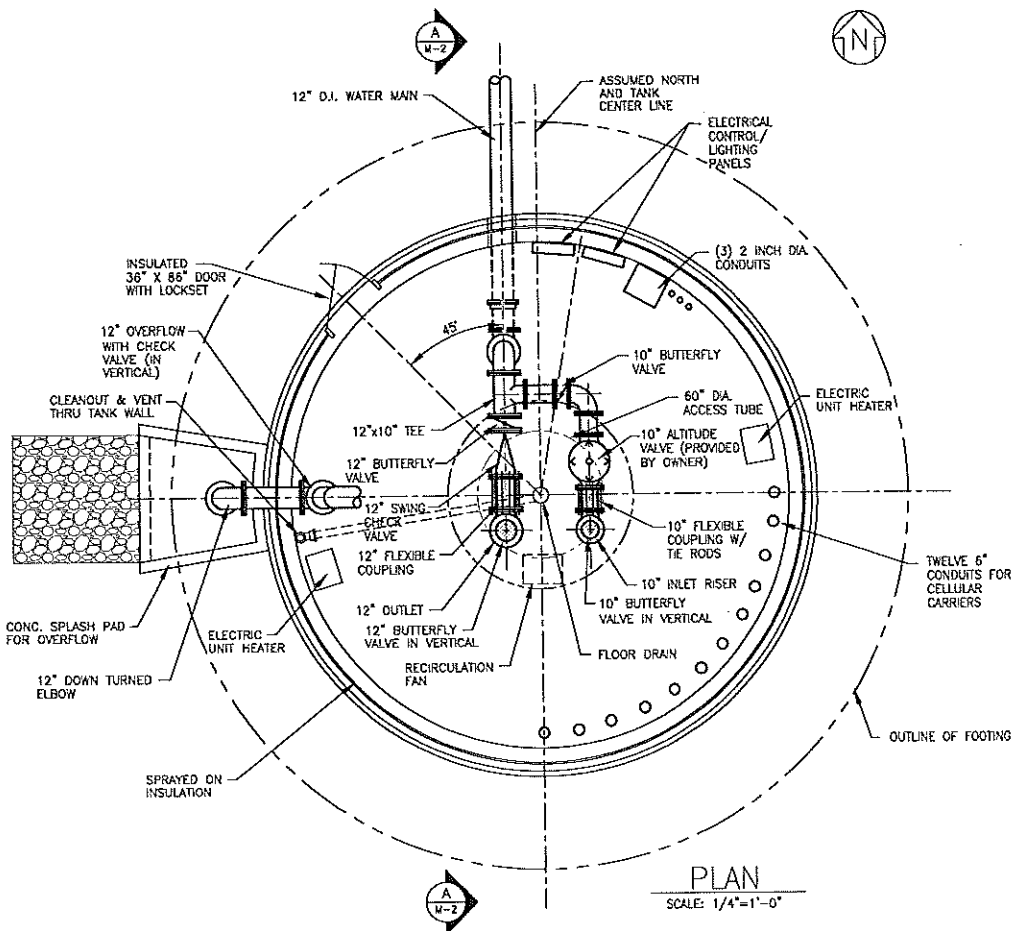
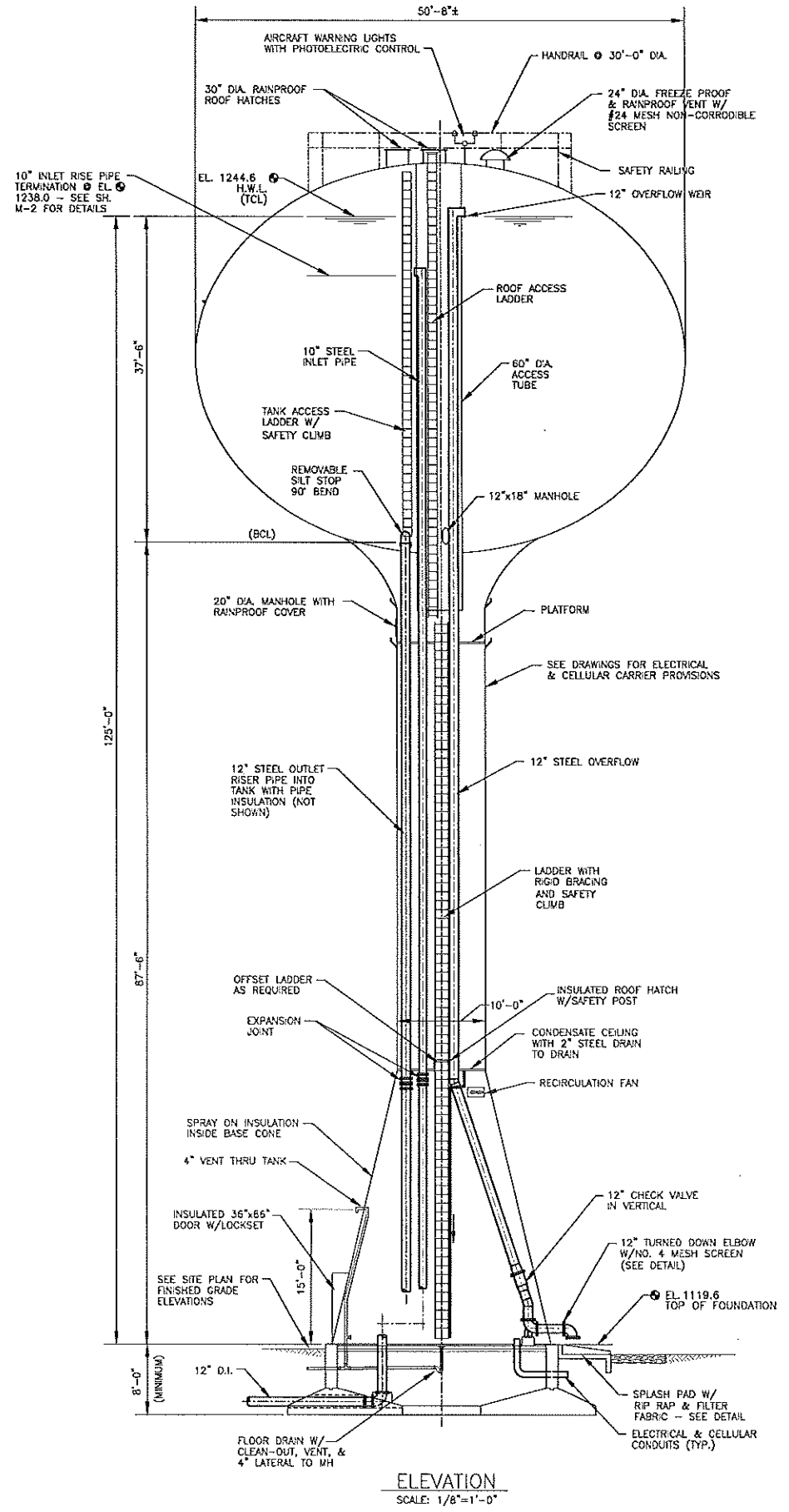
SCALE:	AS NOTED
DRAWING DATE:	3-14-11
DESIGNED BY:	GDG
DRAWN BY:	DEK
CHECKED BY:	GDG

CLIENT

MADISON WATER UTILITY
MADISON, WISCONSIN
400,000 GALLON
PRAIRIE ROAD
WATER STORAGE TANK

SHEET TITLE
PLAN & ELEVATION

M-1



- GENERAL NOTES**
- DIMENSIONS SHOWN FOR TANK DIA., HEAD RANGE, AND FOUNDATION ARE APPROXIMATE. ACTUAL DIMENSIONS SHALL BE AS REQUIRED BY THE TANK MANUFACTURER.
 - SEE TANK MANUFACTURER'S SHOP DRAWINGS FOR STEEL AND ERECTION DETAILS, REINFORCING SIZES AND PLACING DETAILS, AND ANCHOR BOLT SIZES, LOCATIONS AND DETAILS.
 - ALLOWABLE NET SOIL BEARING PRESSURE = 7,000 P.S.F. CONTRACTOR SHALL REVIEW EXISTING SOIL CONDITIONS AND REPORT.
 - SAW CUT CONCRETE FLOOR TO A DEPTH OF 1 1/2", O.C. IN BOTH DIRECTIONS.
 - EXCAVATE TO TOP OF BEDROCK. BRING FOOTING GRADE TO ELEVATION WITH 3" DENSE GRADED STONE OR LEAN MIX CONCRETE.

I:\CRYSTAL LAKE\MADISON\101062-PRAIRIE RD-400,000-GALLON-WATER-STORAGE-TANK\DRAWINGS\101062-EL-TANK.DWG PUN-ELEV
 Plotter: 3/15/2011 1:58 PM By: JGD/DEK
 Scale: 1/8"=1'-0" By: Professional Design Firm
 State of Wisconsin License No. 1-31-17
 License No. - 484-001 - Expires -

CONSULTANTS

NO.	DATE	DESCRIPTION

REFER TO EQUIPMENT MANUFACTURERS SHOP DRAWING

PLAN SHEET DESIGNATION

COVER

C -	GENERAL
H -	HEATING & VENTILATING
C -	CIVIL
L -	LANDSCAPE
S -	STRUCTURAL
A -	ARCHITECTURAL
I -	INSTRUMENTATION
Q -	EQUIPMENT
F -	FIRE PROTECTION
P -	PLUMBING
M -	MECHANICAL
E -	ELECTRICAL
T -	TELECOMMUNICATIONS
OP -	OPERATIONS

PROJECT NO: 101062.40

SCALE: AS NOTED

DRAWING DATE: 3-14-11

DESIGNED BY: GDG

DRAWN BY: DEK

CHECKED BY: GDG

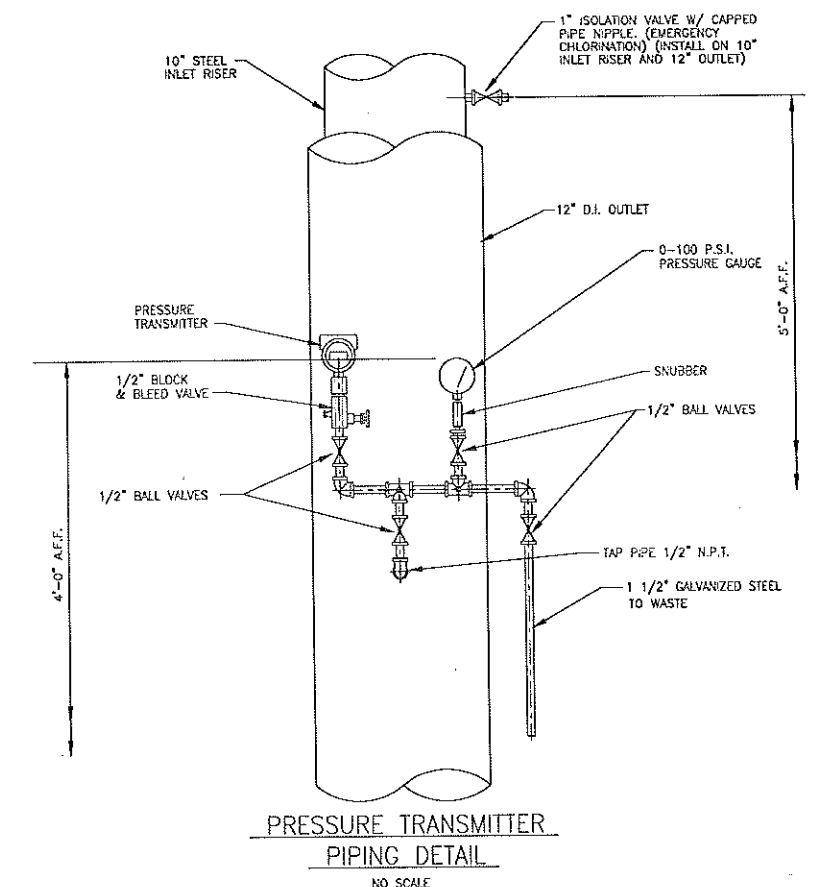
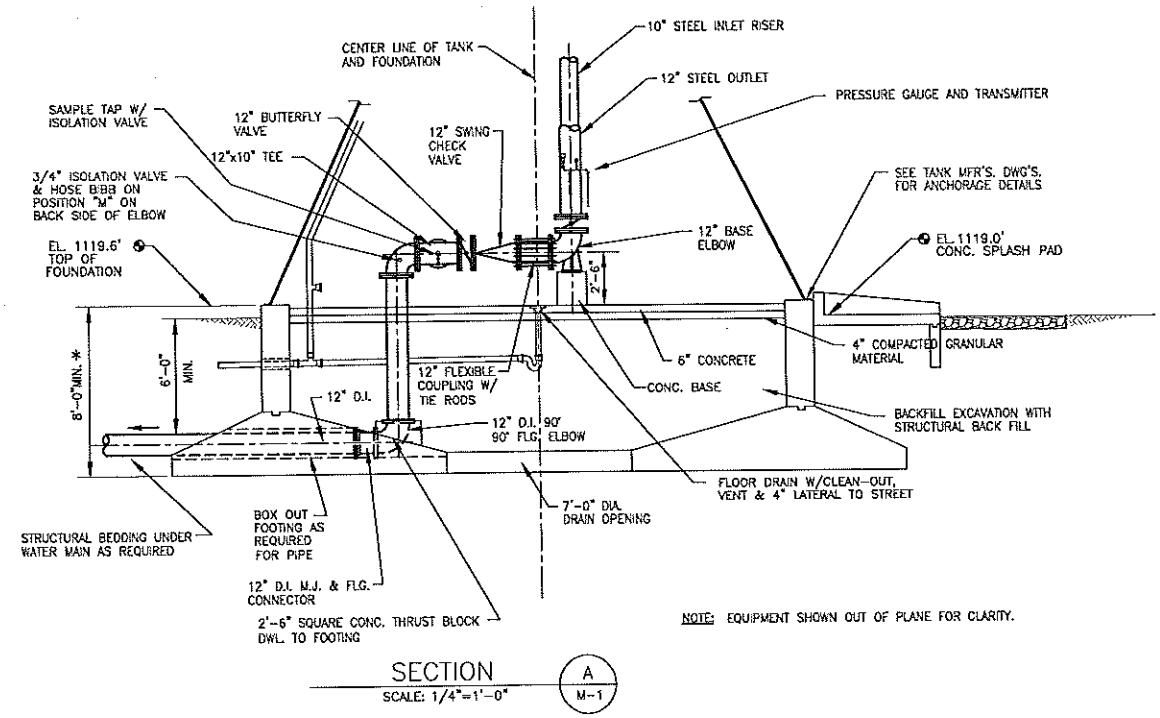
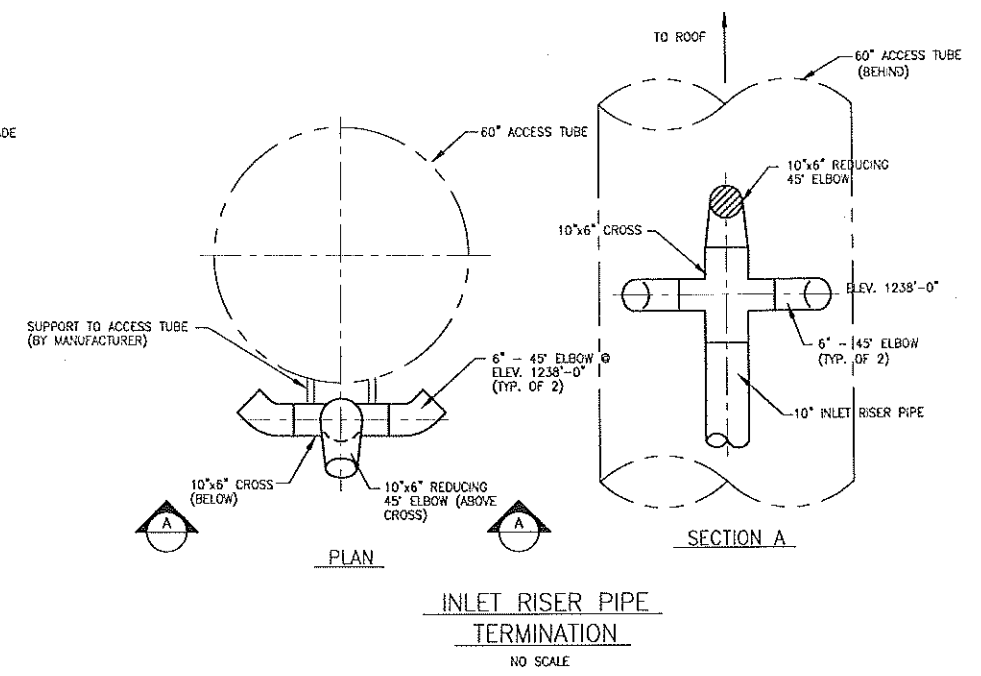
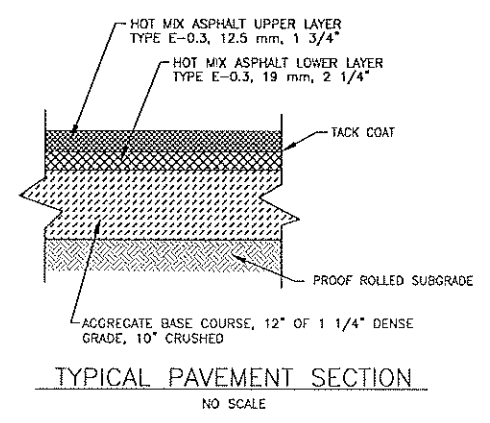
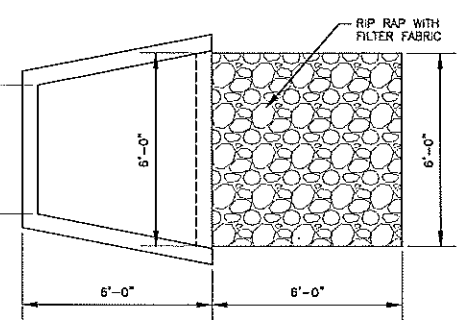
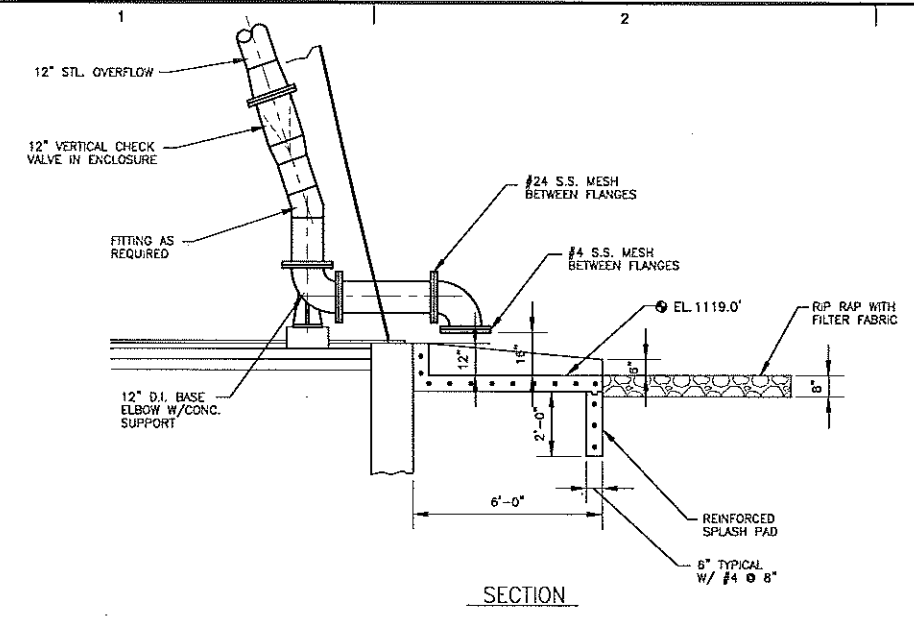
CLIENT

MADISON WATER UTILITY
MADISON, WISCONSIN
 400,000 GALLON
 PRAIRIE ROAD
 WATER STORAGE TANK

SHEET TITLE

SECTION AND DETAILS

M-2



A:\CRISTAL LANE\MADISON\101062-PRAIRIE RD ET\CAD-D-SURVEY\DRAWINGS\DWG\101062-EL-TNK DWG SEC-DCTS
 Date: 3/15/11 9:58 PM By: 1022DEK
 State of Wisconsin, Inc. Professional Design Firm
 License No. - 484-001 - Expires: 1-31-12

CONSULTANTS

NO.	DATE	REVISIONS DESCRIPTION

REFER TO EQUIPMENT MANUFACTURERS SHOP DRAWING

PLAN SHEET DESIGNATION

COVER	GENERAL
H	HEATING & VENTILATING
C	CIVIL
L	LANDSCAPE
S	STRUCTURAL
A	ARCHITECTURAL
I	INSTRUMENTATION
E	ELECTRICAL
P	PLUMBING
M	MECHANICAL
TE	TELECOMMUNICATIONS
OP	OPERATIONS

PROJECT NO.	101062.40
SCALE:	AS NOTED
DRAWING DATE:	3-14-11
DESIGNED BY:	GSW
DRAWN BY:	DEX
CHECKED BY:	GSW

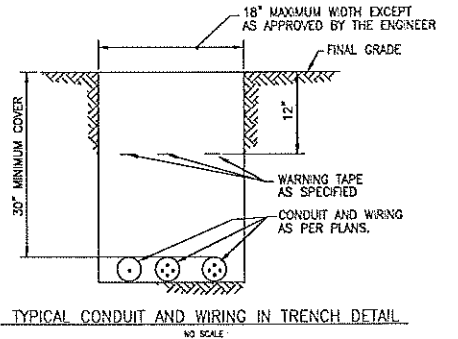
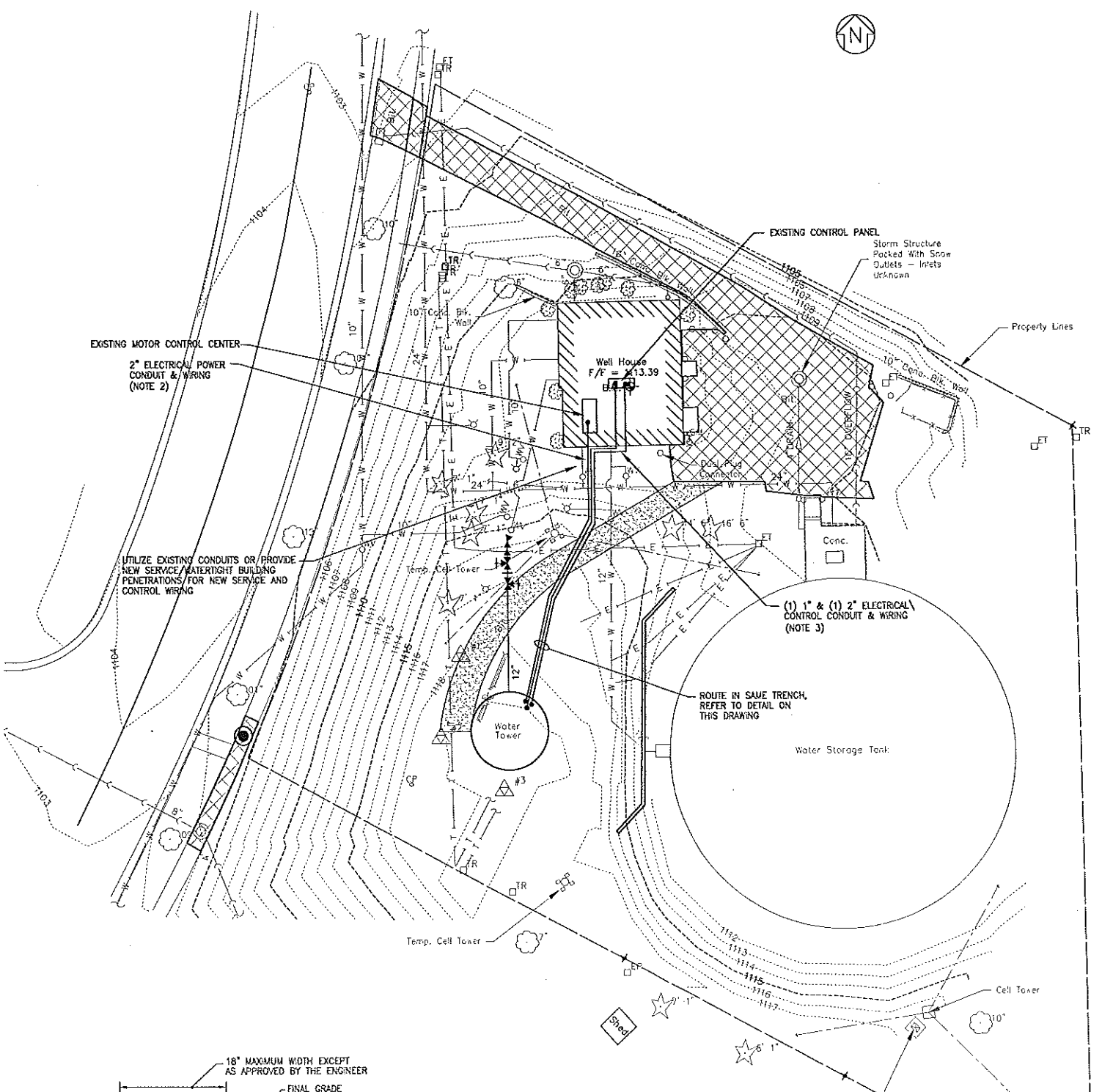
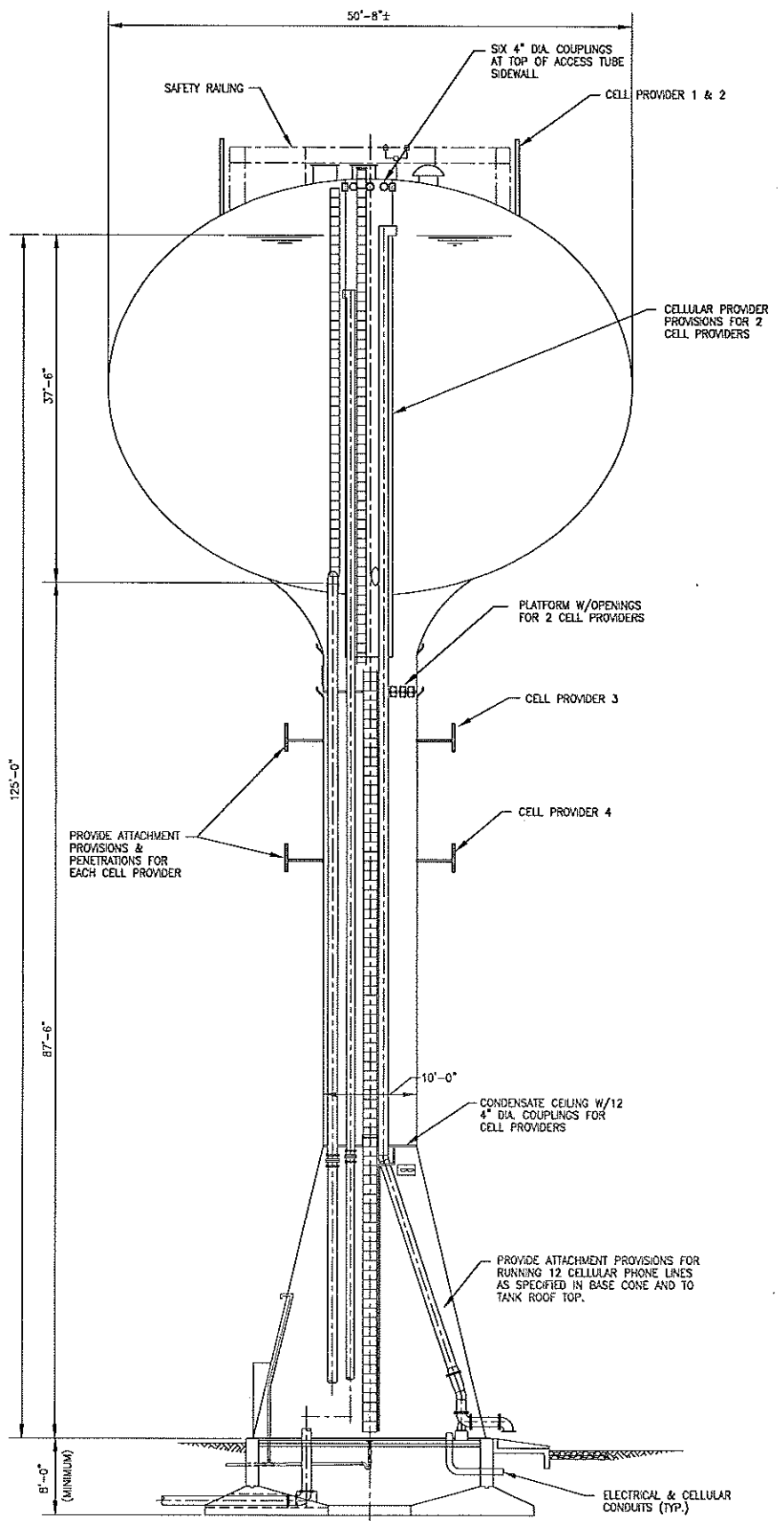
CLIENT

MADISON WATER UTILITY
MADISON, WISCONSIN
400,000 GALLON
PRAIRIE ROAD
WATER STORAGE TANK

SHEET TITLE

ELECTRICAL
SITE PLAN
AND SECTION

E-1



- NOTES:**
- SEE SPECIFICATIONS FOR POWER AND CONTROL TERMINATIONS.
 - CONTRACTOR TO PROVIDE COMPLETE CONNECTIONS, WIRING, TRANSFORMER DISCONNECTS AT EXISTING MCC FOR NEW 30 AMP SERVICE AT 480 VOLT, 3 PHASE TO ELEVATED TANK. CONDUITS AND WIRING MAY BE RUN EXPOSED IN UNIT WELL 20 ROOM.
 - CONTRACTOR TO RUN CONTROL WIRING & CONDUIT TO INSIDE UNIT WELL 20 BUILDING AND OVER TO CONTROL PANEL FOR INTEGRATION & TERMINATION BY OWNER.

I:\CRYSTAL LAKE\MADISON\101062-PRAIRIE RD ET\CAD\SURVEY\DRAWINGS\DWGS\101062-TOPO-CAD.DWG E-1
 Plot Date: 3/15/2011 1:42 PM By: 022006
 Copyright © 2011, By: Baxter & Woodman, Inc.
 State of Wisconsin - Professional Design Firm
 License No. - 484-001 - Expires: 1-31-12

NO.	DATE	REVISIONS DESCRIPTION

REFER TO EQUIPMENT MANUFACTURERS SHOP DRAWING
**

PLAN SHEET DESIGNATION

G - GENERAL
H - HEATING & VENTILATING
C - CIVIL
L - LANDSCAPE
S - STRUCTURAL
A - ARCHITECTURAL
I - INSTRUMENTATION
O - EQUIPMENT
F - FIRE PROTECTION
P - PLUMBING
M - MECHANICAL
E - ELECTRICAL
T - TELECOMMUNICATIONS
OP - OPERATIONS

PROJECT NO. 101062.40
SCALE: AS NOTED
DRAWING DATE: 3-14-11
DESIGNED BY: GSW
DRAWN BY: DEK
CHECKED BY: GSW

CLIENT

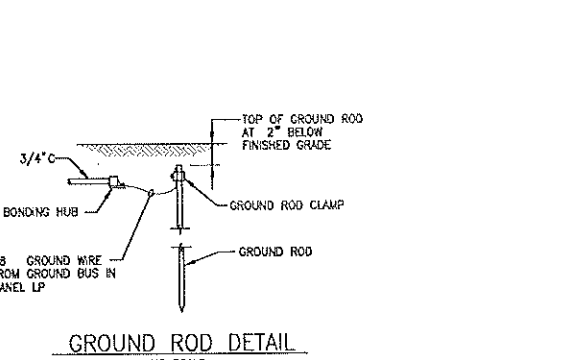
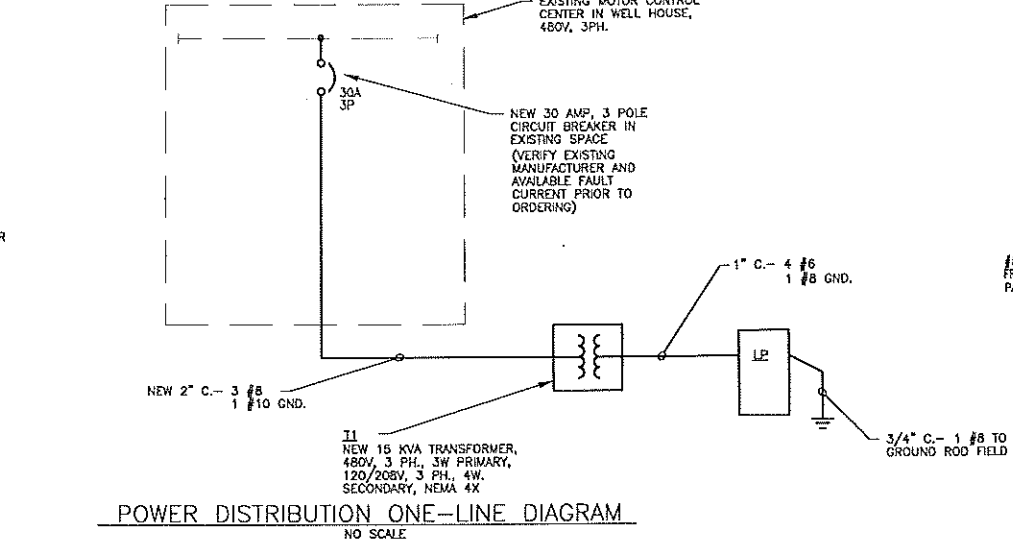
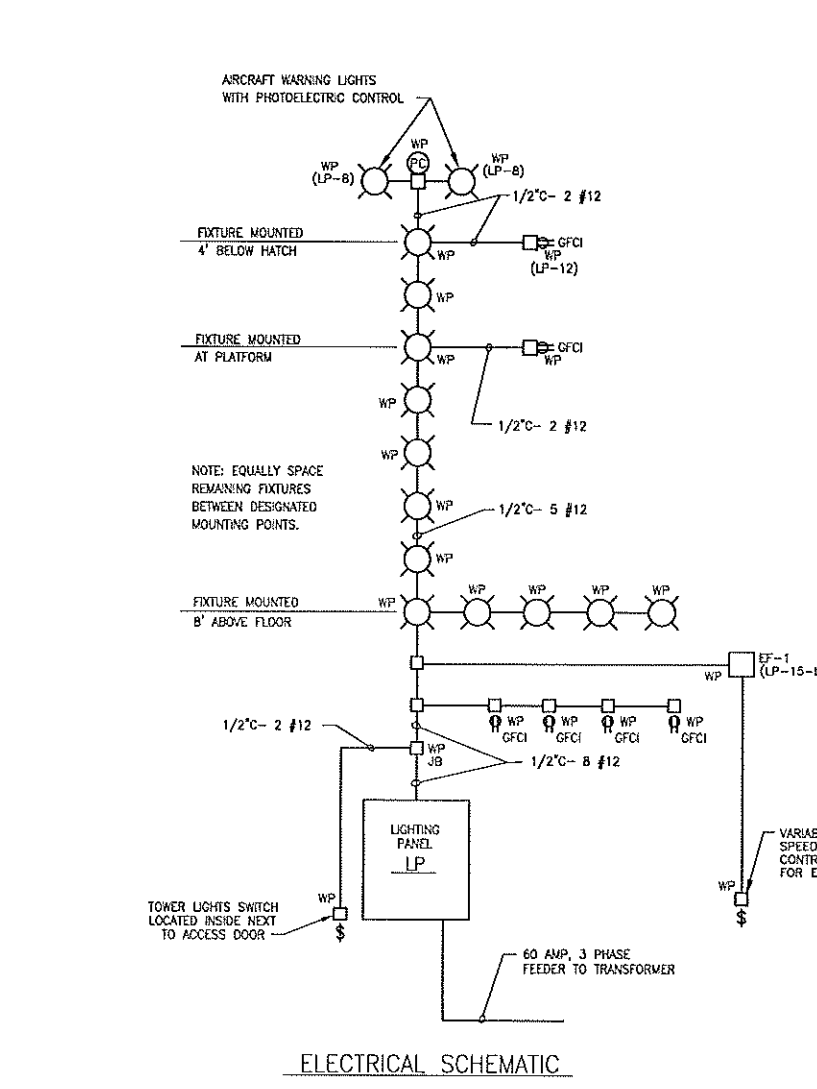
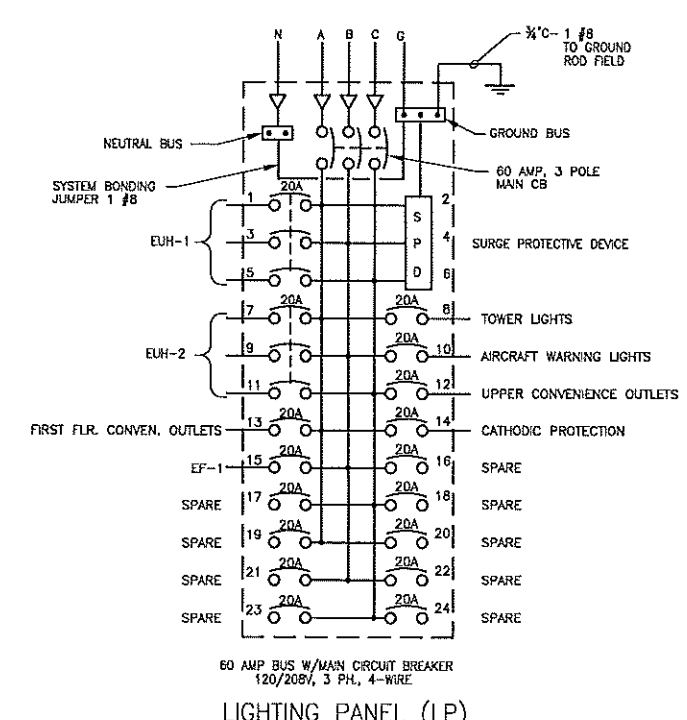
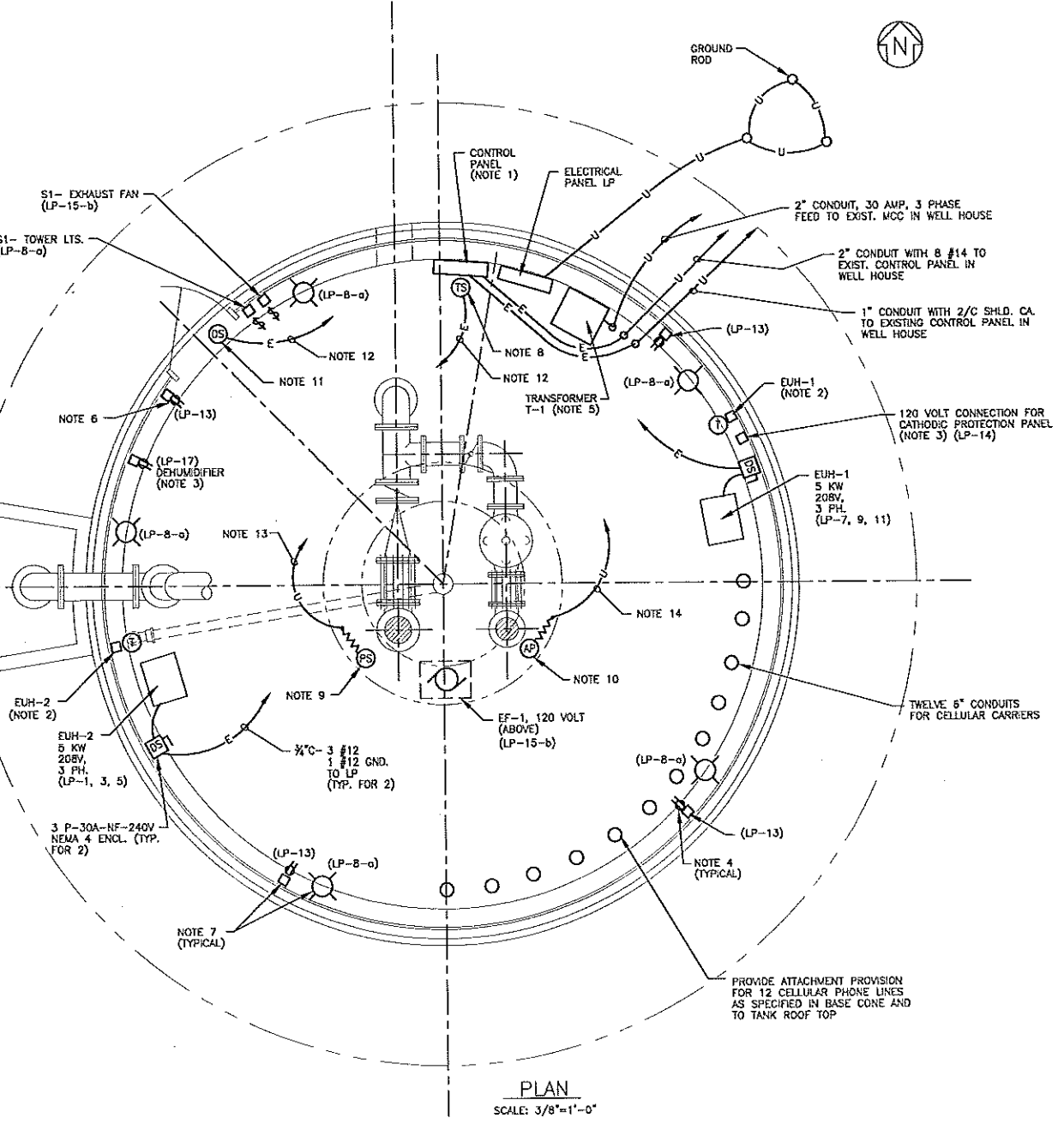
**MADISON WATER UTILITY
MADISON, WISCONSIN
400,000 GALLON
PRAIRIE ROAD
WATER STORAGE TANK**

SHEET TITLE

**ELECTRICAL
PLAN AND DETAILS**

E-2

- NOTES:**
1. CONTROL PANEL PULL-BOX, 18"x18"x6" HINGED COVER, NEMA 3R.
 2. PROVIDE 1/2" CONDUIT WITH (1) THERMOSTATIC CONTROL CABLE BETWEEN THERMOSTATS AND ELECTRIC UNIT HEATERS INDICATED.
 3. VERIFY EXACT LOCATION IN FIELD PRIOR TO INSTALLATION.
 4. PROVIDE A MINIMUM 4 INCH WALL OFFSETS FOR ALL ELECTRICAL OUTLETS & FIXTURES DUE TO SPRAY-ON INSULATION IN TANK BASE.
 5. ALLOW 8 INCH FROM BACK OF TRANSFORMER TO SPRAY-ON INSULATION, COORDINATE THICKNESS OF INSULATION IN FIELD PRIOR TO INSTALLATION.
 6. MOUNT ALL RECEPTACLES AT FIRST FLOOR AT 3'-0" A.F.F.
 7. ALL JUNCTION BOXES, LIGHTS, ETC. IN TOWER TO BE WP.
 8. ROOM LOW TEMPERATURE SENSOR AT CONTROL PANEL.
 9. PRESSURE TRANSDUCER
 10. ALTITUDE POSITION INDICATOR.
 11. DOOR SWITCH
 12. 3/4" C.- 2 #14 TO CONTROL PANEL PULL-BOX.
 13. 2/C SHLD. CA. IN 1" C. TO CONTROL PANEL PULL-BOX.
 14. 1/2" C.- 4 #14 TO CONTROL PANEL PULL-BOX.



I:\CRYSTAL LAKE\MADISON\101062-PRAIRIE RD ET/CADD-SURVEY\DRAWINGS\DWGSET\101062-EL-TNK.DWG E-2
 Plotted: 3/15/2011 1:55 PM By: 022DCK
 Copyright © 2011, By Baxter & Woodman, Inc.
 State of Wisconsin - Professional Design Firm
 License No. - 494-0011 - Expires 1-31-17

SITE, BUILDING & STRUCTURE PLAN SYMBOLS

<p>POWER POLE</p> <p>OH OVERHEAD CABLE</p> <p>CF CONDUIT CONCEALED IN BACKFILLED AREA</p> <p>UC DIRECT BURIAL CABLE</p> <p>U UNDERGROUND CONDUIT</p> <p>F CONDUIT CONCEALED IN FLOOR SLAB</p> <p>C CONDUIT CONCEALED IN CEILING SLAB</p> <p>W CONDUIT CONCEALED IN WALL</p> <p>AC CONDUIT CONCEALED ABOVE SUSPENDED CEILING</p> <p>CS CONDUIT CONCEALED BELOW FLOOR SLAB</p> <p>CC CONDUIT CONCEALED ABOVE ROOF/CEILING SLAB</p> <p>AG CONDUIT CONCEALED ABOVE GYPSUM BOARD CEILING</p> <p>E EXPOSED CONDUIT</p> <p>EW EXPOSED CONDUIT ON WALL</p> <p>EC EXPOSED CONDUIT ON CEILING</p> <p>EP EXPOSED CONDUIT BELOW PLATFORM</p> <p>FLEXIBLE CONDUIT</p> <p>FLEXIBLE CABLE OR CORD</p> <p>DOT INDICATES CHANGE IN CONDUIT ELEVATION OR CONNECTION TO FLEXIBLE CONDUIT</p> <p>INDICATES CONDUIT SIZE AND NO. & SIZE OF CONDUCTORS</p> <p>INDICATES CONDUIT TYPE & NO. SEE CONDUIT SCHEDULE</p> <p>EXISTING CONDUITS (* SAME DESIGNATIONS AS PROPOSED)</p> <p>EXISTING CONDUITS TO BE REMOVED (* SAME DESIGNATIONS AS PROPOSED)</p>	<p>(14) INCANDESCENT LIGHT FIXTURE - () = CKT. NO. SEE LIGHTING FIXTURE SCHEDULE</p> <p>(14) FLOOD LIGHT FIXTURE - () = CKT. NO. SEE LIGHTING FIXTURE SCHEDULE</p> <p>(2) FLUORESCENT LIGHT FIXTURE - () = CKT. NO. SEE LIGHTING FIXTURE SCHEDULE</p> <p>(1) EXIT LIGHT - () = CKT. NO. SEE LIGHTING FIXTURE SCHEDULE</p> <p>(1) EM- EMERGENCY LIGHT - () = CKT. NO. SEE LIGHTING FIXTURE SCHEDULE</p> <p>EMERGENCY LIGHT REMOTE LIGHT HEAD SEE LIGHTING FIXTURE SCHEDULE</p> <p>(6) MOTOR - APPROXIMATE HORSE POWER INDICATED () = CIRCUIT NO. WHEN INDICATED</p> <p>(MV) MOTORIZED VALVE OPERATOR</p> <p>(EX) EXISTING INCANDESCENT LIGHT FIXTURE</p> <p>(EX) EXISTING FLUORESCENT LIGHT FIXTURE</p> <p>(EX) EXISTING MOTOR</p> <p>(EX) EXISTING INCANDESCENT LIGHT FIXTURE TO BE REMOVED</p> <p>(EX) EXISTING FLUORESCENT LIGHT FIXTURE TO BE REMOVED</p> <p>(EX) EXISTING MOTOR TO BE REMOVED</p>
---	---

<p>(DS) SAFETY DISCONNECT SWITCH</p> <p>(M) MANUAL MOTOR STARTER</p> <p>(DR) DRUM REVERSING SWITCH</p> <p>() OUTLET BOX OR JUNCTION BOX</p> <p>(5.0 KW) OR (5.0 KW) ELECTRIC UNIT HEATER APPROX. SIZE INDICATED</p> <p>(EMH) ELECTRIC WATER HEATER</p> <p>(EWC) ELECTRIC WATER COOLER</p> <p>(PC) PHOTOCELL</p> <p>(T) THERMOSTAT</p> <p>(H) HUMIDISTAT</p> <p>(A) AQUASTAT</p> <p>(FS) FLOAT SWITCH</p> <p>(PS) PRESSURE SWITCH</p> <p>(LS) LIMIT SWITCH</p> <p>(S) SOLENOID</p> <p>(XXXX 201) INSTRUMENTATION/CONTROL DEVICE (XXXX - SEE TABLE BELOW)</p>	<p>(24") 120V DUPLEX RECEPTACLE - () = CKT. NO. 24" = MOUNTING HEIGHT ABOVE FLOOR</p> <p>() 120V SINGLE RECEPTACLE</p> <p>() 120V CLOCK RECEPTACLE</p> <p>(20A) 240V, 20A, SINGLE RECEPTACLE</p> <p>() 240V, DUPLEX RECEPTACLE</p> <p>() 480V, 3 PHASE RECEPTACLE</p> <p>(S1) SINGLE POLE TOGGLE SWITCH</p> <p>(S2) DOUBLE POLE TOGGLE SWITCH</p> <p>(S3) THREE-WAY TOGGLE SWITCH</p> <p>(S4) FOUR-WAY TOGGLE SWITCH</p> <p>(JB) JUNCTION BOX</p> <p>(WP) INDICATES WEATHERPROOF DEVICE</p> <p>(XP) INDICATES EXPLOSIONPROOF DEVICE</p> <p>(EX) INDICATES EXISTING DEVICE</p> <p>(H/S) FIRE ALARM HORN/STROBE</p> <p>(SD) SMOKE DETECTOR (HD = HEAT DETECTOR)</p> <p>(FB) FIRE ALARM BELL</p> <p>() ALARM HORN</p> <p>() COMMUNICATIONS SPEAKER</p> <p>(T) TELEPHONE JACK</p>
--	--

"UP-STOP-DOWN" PUSHBUTTON STATION

"ON-OFF" SELECTOR SWITCH W/ SPRING RETURN TO CENTER POSITION

MOMENTARY CONTACT "START-STOP" PUSHBUTTON STATION

MOMENTARY CONTACT "START-STOP" PUSHBUTTON STATION W/ HASP HOLD ON STOP

"STOP-HOLD" PUSHBUTTON STATION W/ HASP HOLD

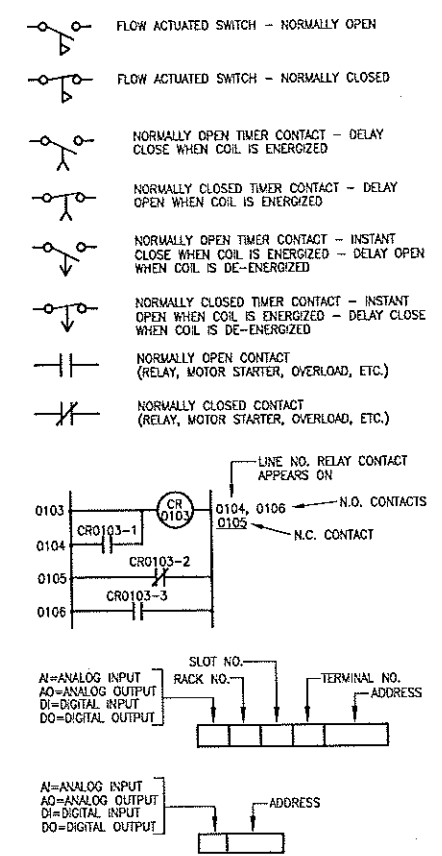
F = FLOW
L = LEVEL
P = PRESSURE
T = TEMPERATURE
K = TIME
Z = POSITION

C = CONTROLLER
I = INDICATOR
R = RECORDER
T = TRANSMITTER
Q = QUANTITY (TOTALIZE)
V = VALVE

E = PRIMARY ELEMENT
S = SWITCH
V = VALVE

CONTROL SCHEMATIC SYMBOLS

<p>TRANSFORMER</p> <p>FUSE</p> <p>MS MOTOR STARTER COIL W/ OVERLOADS</p> <p>RTM RUNNING TIME METER</p> <p>(G) INDICATING LIGHT</p> <p>(R) PUSH TO TEST TYPE INDICATING LIGHT</p> <p>INDICATING LIGHT COLOR DESIGNATIONS: A - AMBER O - ORANGE Y - YELLOW B - BLUE P - PURPLE FL - FLUORESCENT C - CLEAR R - RED NE - NEON G - GREEN W - WHITE OP - OPALSCENT</p> <p>(CR) CONTROL RELAY</p> <p>(PR) POWER RELAY</p> <p>(TDR) TIME DELAY RELAY</p> <p>(AR) ALTERNATING RELAY</p> <p>(LR) LATCHING RELAY</p>	<p>PUSHBUTTON - NORMALLY OPEN MOMENTARY CONTACT</p> <p>PUSHBUTTON - NORMALLY CLOSED MOMENTARY CONTACT</p> <p>MANTAINED CONTACT TYPE PUSHBUTTON</p> <p>MULTI-POSITION SELECTOR SWITCH</p> <p>LIMIT SWITCH - NORMALLY OPEN</p> <p>LIMIT SWITCH - NORMALLY CLOSED</p> <p>SINGLE POLE DOUBLE THROW LIMIT SWITCH</p> <p>LIQUID LEVEL - NORMALLY OPEN</p> <p>LIQUID LEVEL - NORMALLY CLOSED</p> <p>PRESSURE SWITCH - NORMALLY OPEN</p> <p>PRESSURE SWITCH - NORMALLY CLOSED</p> <p>TEMPERATURE ACTUATED SWITCH - NORMALLY OPEN</p> <p>TEMPERATURE ACTUATED SWITCH - NORMALLY CLOSED</p>
---	---



ABBREVIATIONS

A OR AMP. AMPERE	ACK ACKNOWLEDGE	FUSL FUSIBLE	PB PUSHBUTTON
A.F.F. ABOVE FINISHED FLOOR	ANN ANNUNCIATOR	GFCI GROUND FAULT CIRCUIT INTERRUPTER	PLC PROGRAMMABLE LOGIC CONTROLLER
ANT. ANTENNA	AUT. AUTOMATIC	GND GROUND	PAN PANEL
AUX. AUXILIARY	BAT. BATTERY	H.O.A. HAND-OFF-AUTO SELECTOR SWITCH	PPM PARTS PER MILLION
BKDR. BREAKER	BKDR. BREAKER	HP HORSE POWER	PR PROBE
CA. CAPACITOR	BLDG. BUILDING	H.W.L. HIGH WATER LEVEL	PS PRESSURE SWITCH
CB. CIRCUIT BREAKER	BRKR. BREAKER	ISR INTRINSICALLY SAFE RELAY	PSI POUNDS PER SQUARE INCH
CH. CHANNEL	COND. CONDUIT	JB or J. BOX JUNCTION BOX	PT PRESSURE TRANSDUCER
CON. CONTROL	CPU CENTRAL PROCESSING UNIT	KW KILOWATT	PVC POLYVINYL CHLORIDE
CS. SIGNAL CONDUIT	CUR. CURRENT SENSING RELAY	KWH KILOWATT HOUR	R.A.S. RETURN ACTIVATED SLUDGE
CT. CURRENT TRANSFORMER	C1 SINGLE PHASE CONDUIT	KVA KILOVOLT-AMPERE	RM ROOM
C3 THREE PHASE CONDUIT	D.E. DUAL ELEMENT DETECTOR	LT LIGHT	RTM RUNNING TIME METER
D.E. DETECTOR	DISC. DISCONNECT	LP LIGHTING PANEL	SHL SHELDED
D.O. DISSOLVED OXYGEN	DPDT DOUBLE POLE DOUBLE THROW	LT LEVEL TRANSDUCER	SL SILENCE
ENCL. ENCLOSURE	EX. or EXIST. EXISTING	LV LOW VOLTAGE	SOL SOLENOID
FU FUSE		LWL or L.W.L. LOW WATER LEVEL	SPDT SINGLE POLE DOUBLE THROW SWITCH
		MA MILLIAMPERE	SW SWITCHGEAR
		MAN. MANUAL MOTOR CONTROL CENTER	TDR TIME DELAY RELAY
		MDR MOISTURE DETECTION RELAY	TM TIMER
		MFR MANUFACTURER	TYP. TYPICAL
		MGD MILLION GALLONS PER DAY	V VOLT
		N. NEUTRAL	VAC VOLTS ALTERNATING CURRENT
		N.C. NORMALLY CLOSED	W.A.S. WASTE ACTIVATED SLUDGE
		N.O. NOT IN CONTRACT	WHM WAIT-HOUR METER
		NO. NUMBER	WM WAIT METER
		N.O. NORMALLY OPEN	WP WEATHERPROOF CLOSE
		OPEN OPEN	X XFMR TRANSFORMER
		OLS OVERLOADS	XTR TRANSMITTER
			2P TWO POLE
			3P THREE POLE

MOTOR CONTROL CENTER SYMBOLS

<p>() CIRCUIT BREAKER</p> <p>() MULTI-POSITION SELECTOR SWITCH</p> <p>L-O-R "LOCAL-OFF-REMOTE"</p> <p>H - A "HAND-AUTO"</p> <p>H-O-A "HAND-OFF-AUTO"</p> <p>ON-O-R "ON-OFF-REMOTE"</p> <p>ON-O-I "ON-OFF-INTERMITTENT"</p> <p>F-R "FORWARD-REVERSE"</p> <p>() PUSHBUTTON</p> <p>() HAND RESET</p> <p>() INDICATING (PILOT) LIGHT</p> <p>() GROUND DETECTOR SYSTEM</p>	<p>(RTM) RUNNING TIME METER</p> <p>() TIMER</p> <p>(V) VOLTMETER</p> <p>(AV) AMMETER</p> <p>() ALARM HORN</p> <p>(100 KW) EMERGENCY GENERATOR 100KW DESIGNATES SIZE</p> <p>(LP) LIGHTING PANEL</p> <p>(DS) DISCONNECT SWITCH (30A UNLESS OTHERWISE NOTED)</p> <p>() MOTOR - APPROX. H.P. INDICATED</p>	<p>() NON-FUSIBLE DISCONNECT</p> <p>() FUSIBLE DISCONNECT</p> <p>() CIRCUIT BREAKER WITH SHUNT TRIP</p> <p>() THERMAL OVERLOAD RELAY</p> <p>() MAGNETIC STARTER (1=NEMA SIZE)</p> <p>() TRANSFORMER</p> <p>() POTENTIAL TRANSFORMER</p> <p>() CURRENT TRANSFORMER</p> <p>() FUSE</p> <p>() 3-PHASE SURGE PROTECTOR</p>
---	---	--

LIGHTING FIXTURE SCHEDULE

FOR INTERIOR LIGHT FIXTURES AND AIRCRAFT WARNING LIGHT FIXTURES, REFER TO SPECIFICATION SECTION 33 16 19-2.16



CONSULTANTS

NO.	DATE	DESCRIPTION

REFER TO EQUIPMENT MANUFACTURER'S SHOP DRAWINGS

PLAN SHEET DESIGNATION

COVER	GENERAL
H	HEATING & VENTILATING
C	CIVIL
L	LANDSCAPE
S	STRUCTURAL
A	ARCHITECTURAL
I	INSTRUMENTATION
Q	EQUIPMENT
F	FIRE PROTECTION
P	PLUMBING
M	MECHANICAL
E	ELECTRICAL
T	TELECOMMUNICATIONS
OP	OPERATIONS

PROJECT NO: 101052.40

SCALE:	AS NOTED
DRAWING DATE:	3-14-11
DESIGNED BY:	GSW
DRAWN BY:	DEK
CHECKED BY:	GSW

CLIENT

**MADISON WATER UTILITY
MADISON, WISCONSIN
400,000 GALLON
PRAIRIE ROAD
WATER STORAGE TANK**

SHEET TITLE

ELECTRICAL SYMBOL LIST

I:\CIVIL\LAKE MADISON\101052-PRAIRIE RD\11\CAUD-SURVEY\DRAWINGS\DWG\101052-EL-INK.DWG E-31W
 Printed: 3/15/2011 1:58 PM By: G22026V
 Copyright © 2011, by Baxter & Woodman, Inc.
 State of Wisconsin - Professional Design Firm
 License No. - 484-001 - Expires