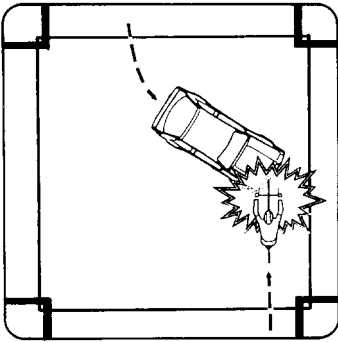


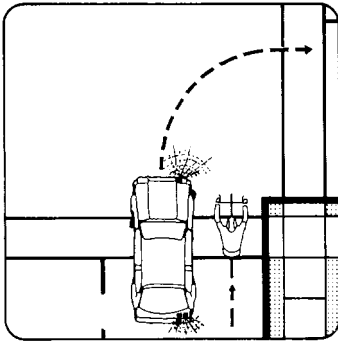
Defensive Driving

Knowing and following the rules of the road is not enough to keep you from being involved in a crash. Unfortunately, there are drivers who either do not know, understand or follow the rules. Knowing what other drivers do wrong, and watching for their mistakes, can help you reduce your chances of being in a crash.



Left turning motorist hits bicyclist going straight.

- Watch cars at intersections carefully.
- Make eye contact with drivers.
- Be visible.
- Ride further out in the lane as you approach intersections. Be prepared to stop or make an emergency turn if necessary.

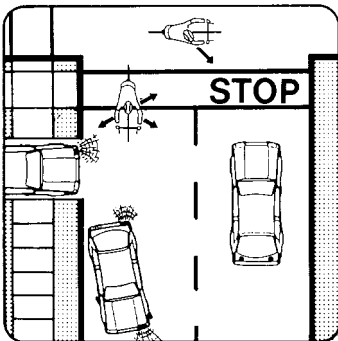


Motorist right turn in front of bicyclist.

Be alert for drivers speeding up then slowing down as they pass you.

Do not pass cars on the right near intersections, you will be in the driver's blind spot.

Do not rely on other drivers' turn signals.



Motorist driveout from a driveway, alley, parking space or stop sign.

Proper lane position, careful scanning and an all-around conspicuous appearance will help you avoid these situations.

If you ride on sidewalks, be extra alert when crossing driveways and intersections. Most drivers do not check for bicyclists on sidewalks.